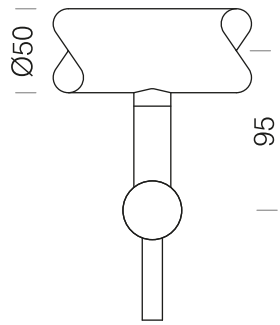
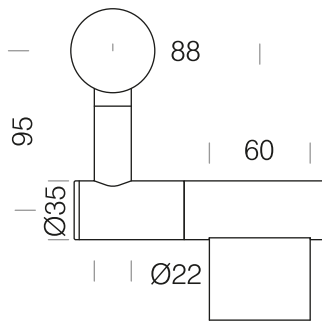


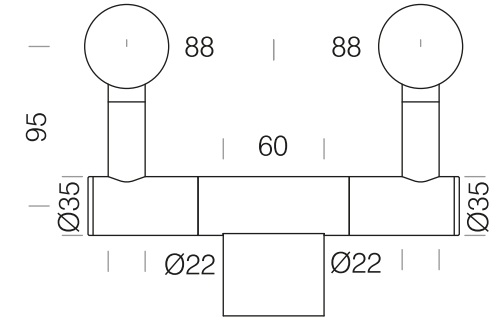
**4G/4I** Elevation



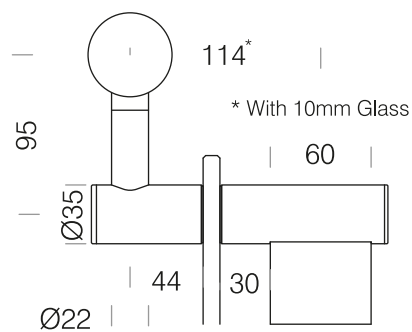
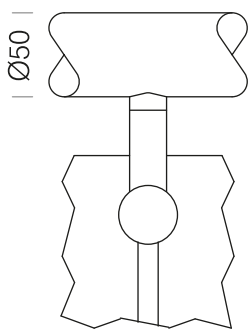
**4G** Offset Stem Toprail



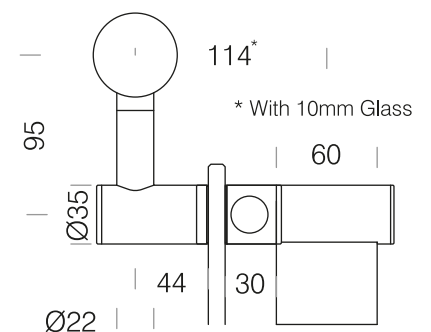
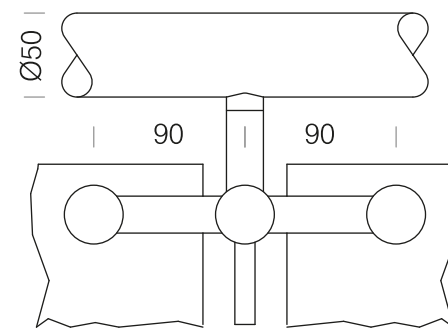
**4I** Offset Stem Divider Rail



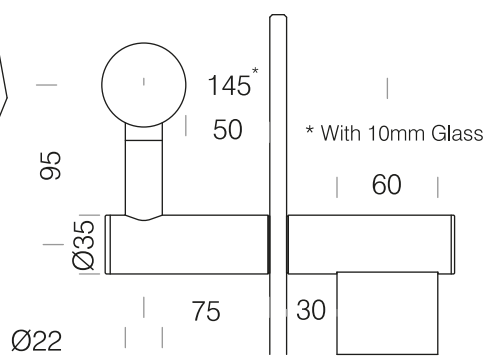
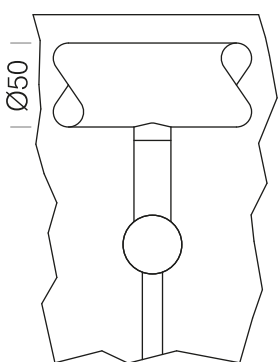
**4H** Offset Stem Toprail / Single Infill Panel



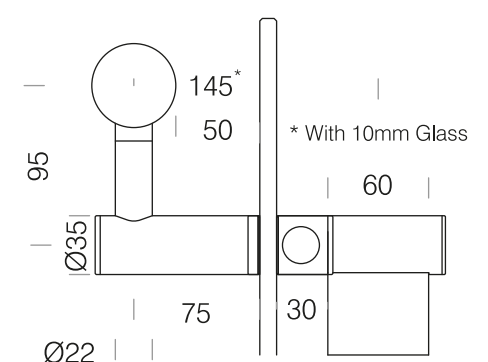
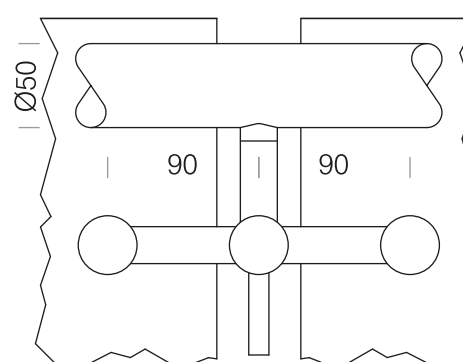
**4L** Offset Stem Toprail / Double Infill Panel



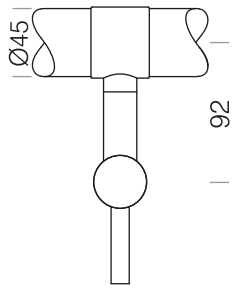
**4H** Offset Stem Toprail / Single Infill Panel - *Raised Glass*



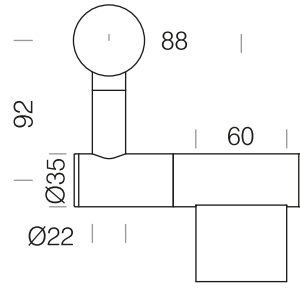
**4L** Offset Stem Toprail / Double Infill Panel - *Raised Glass*



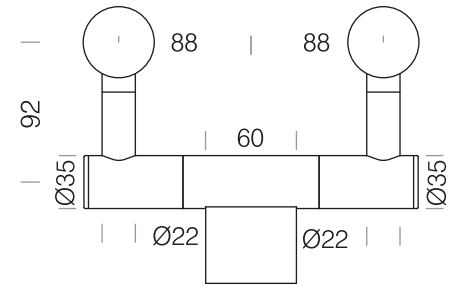
STEM **4G/4I** Elevation



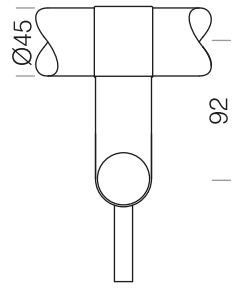
**4G** Offset Stem Toprail



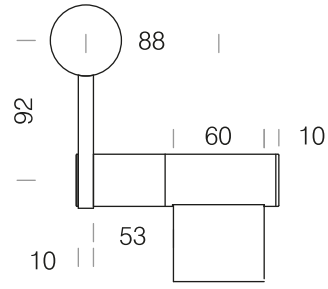
**4I** Stem Divider Rail



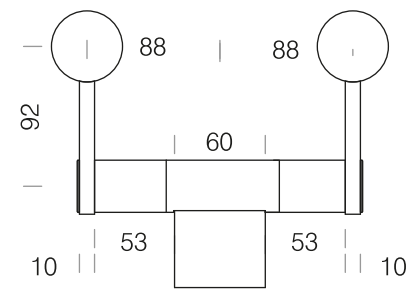
FIN **4N/4R** Elevation



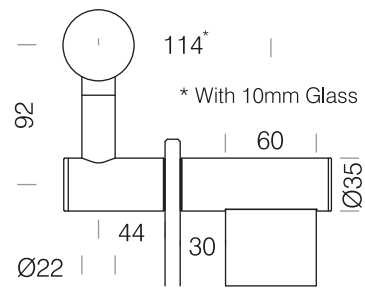
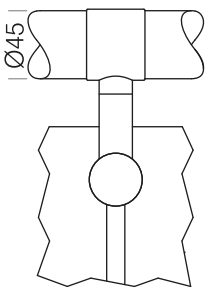
**4N** Offset Fin Toprail ®



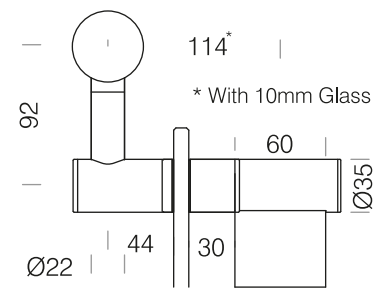
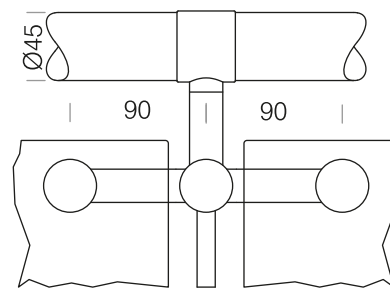
**4R** Fin Divider Rail ®



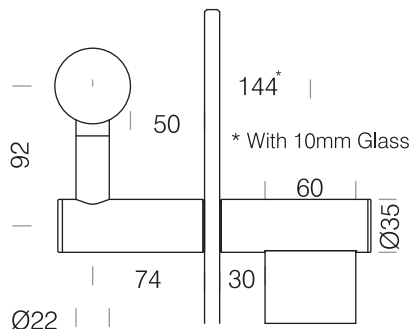
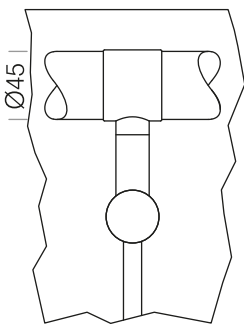
STEM **4H** Offset Stem Toprail / Single Infill Panel



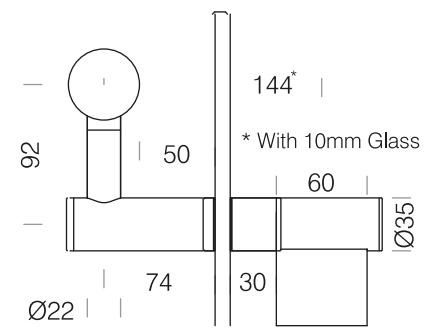
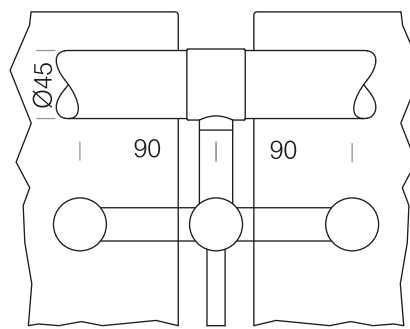
**4L** Offset Stem Toprail / Double Infill Panel



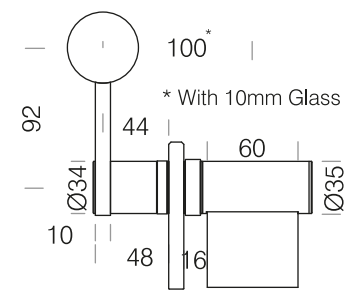
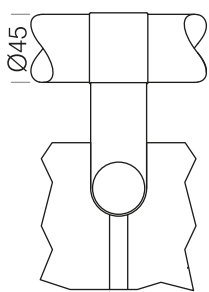
**4H** Offset Stem Toprail / Single Infill Panel - *Raised Glass*



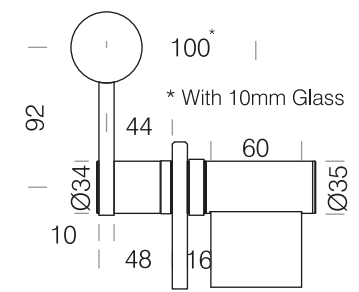
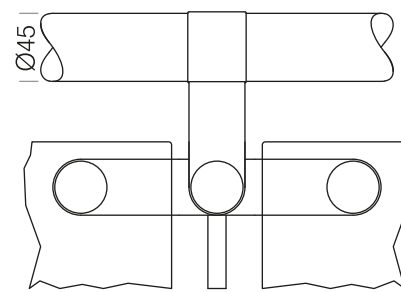
**4L** Offset Stem Toprail / Double Infill Panel - *Raised Glass*



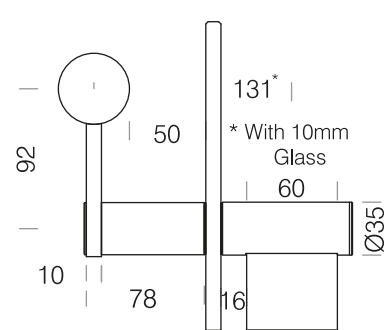
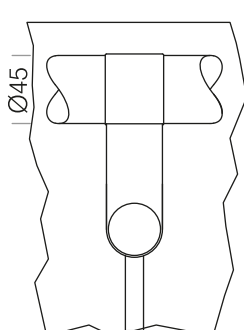
FIN **4P** Offset Fin Toprail / Single Infill Panel ®



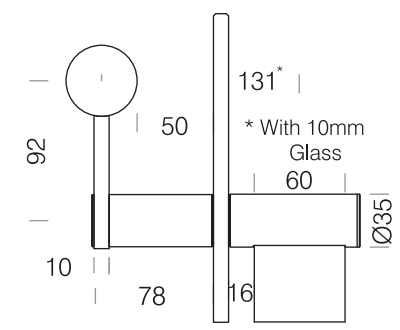
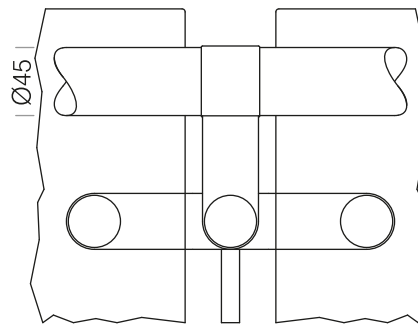
**4Q** Offset Fin Toprail / Double Infill Panel ®



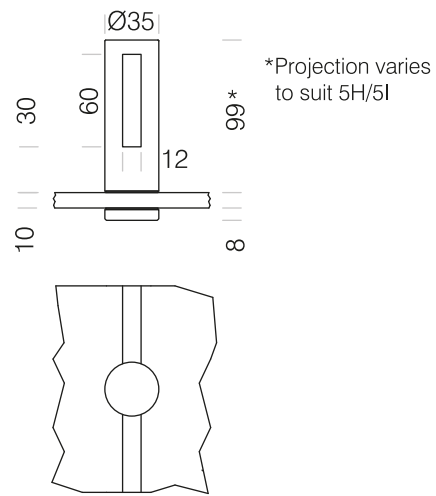
**4P** Offset Fin Toprail / Single Infill Panel ® - *Raised Glass*



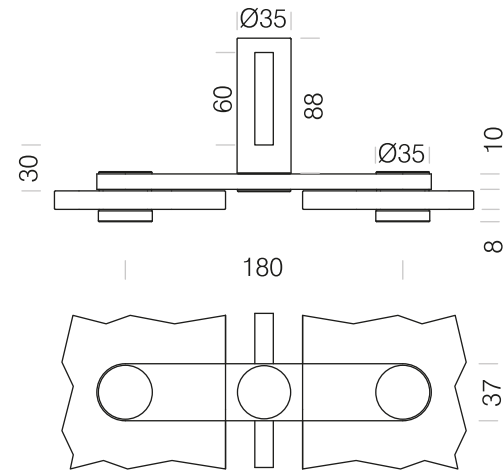
**4Q** Offset Fin Toprail / Double Infill Panel ® - *Raised Glass*



**5C** Single Offset Panel Holder

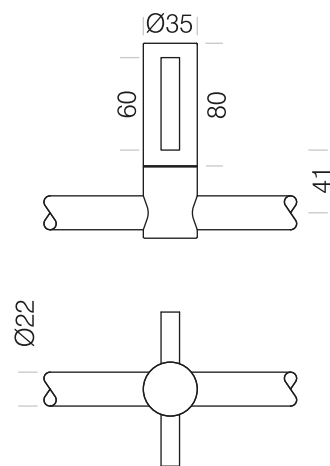


**5I** Double Offset Fin Panel Holder\*

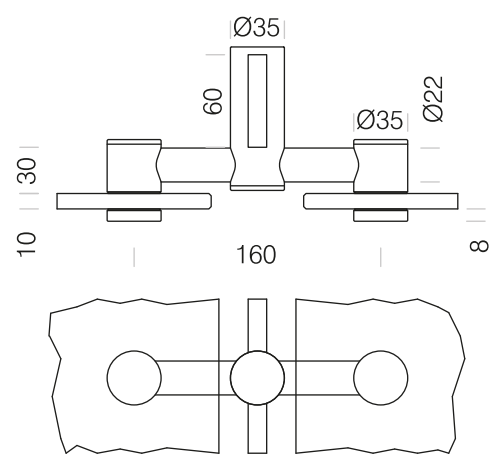


\* Node Handrail only

**5E** Offset Midrails

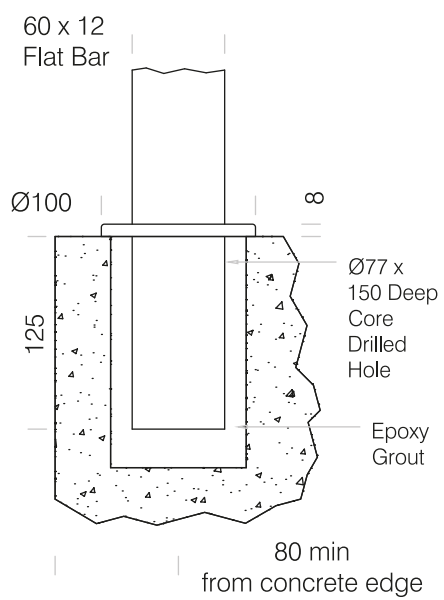


**5H** Double Offset Stem Panel Holder



06 FIXINGS

**6A** Spigot Fixing



**6E** Side Fixing for Steel or Concrete

