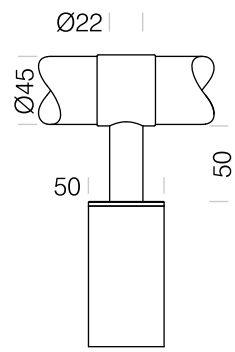


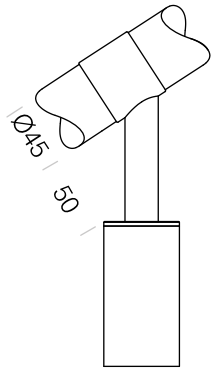
04 TOPRAIL CONNECTIONS - Ø45mm NODE® MODULAR

® = Registered Design

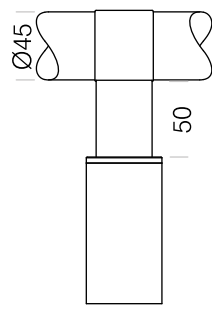
4E Inline Stem



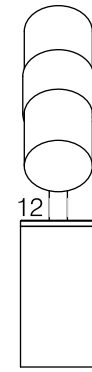
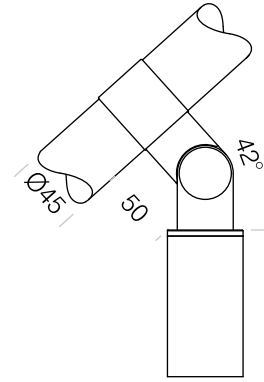
4F Angled Inline Stem



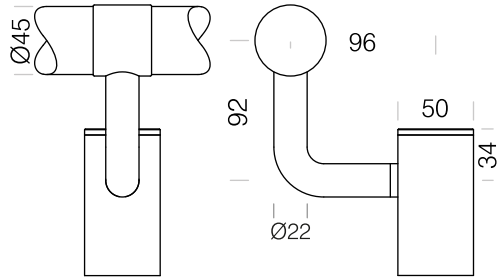
4S Inline Fin



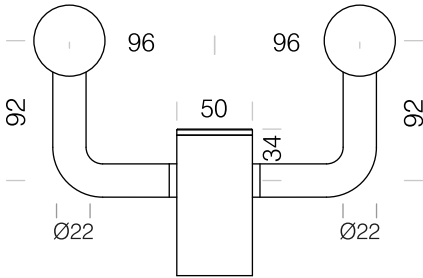
4T Angled Inline Fin ®



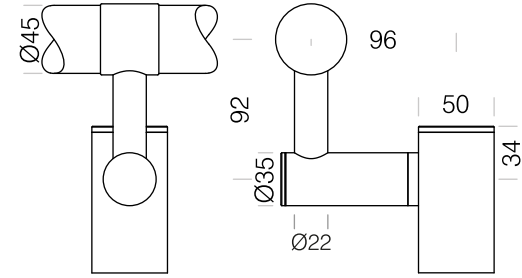
4K Offset Bend Toprail



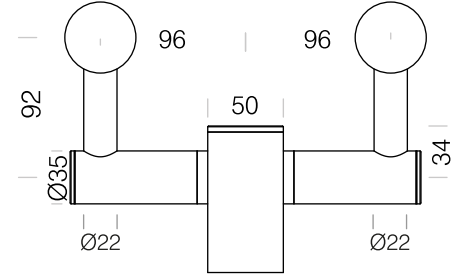
4M Offset Bend Divider Rail



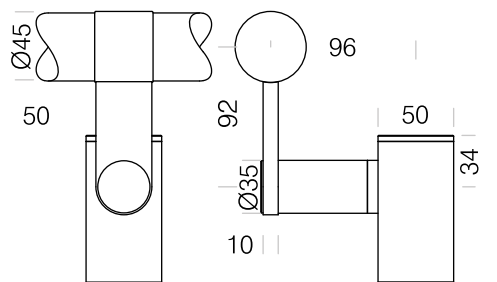
4G Offset Stem Toprail



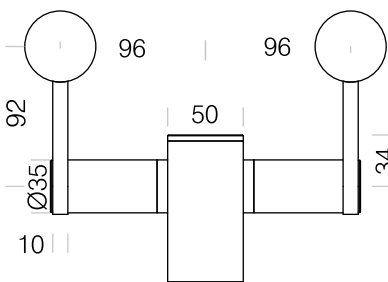
4I Offset Stem Divider Rail



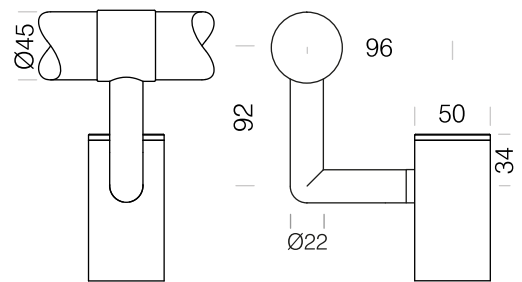
4N Offset Fin ®



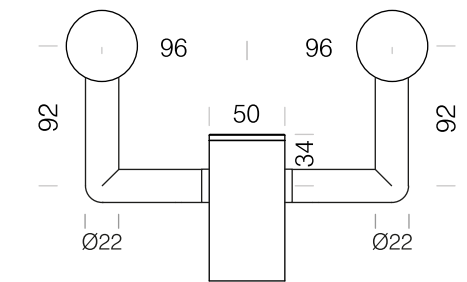
4R Offset Fin Divider ®



4V Offset Ball Bend Toprail

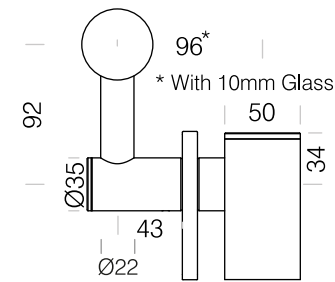
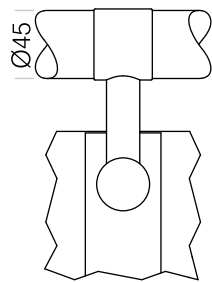


4W Offset Ball Bend Divider Rail

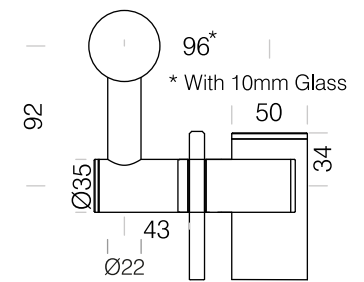
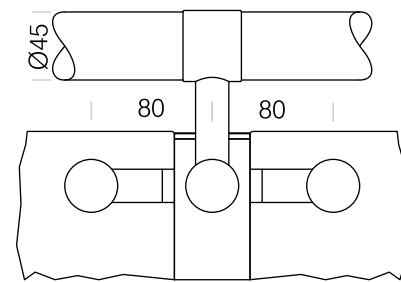


STEM

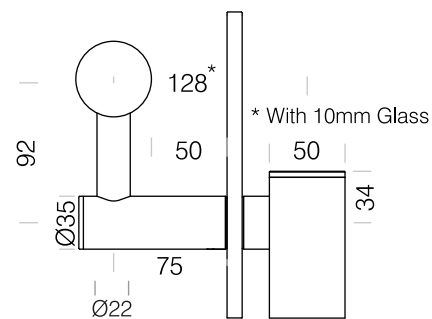
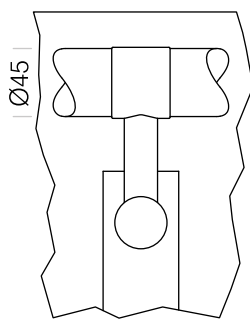
4H Offset Stem Toprail / Single Infill Panel



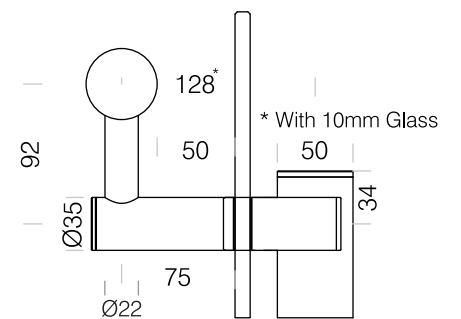
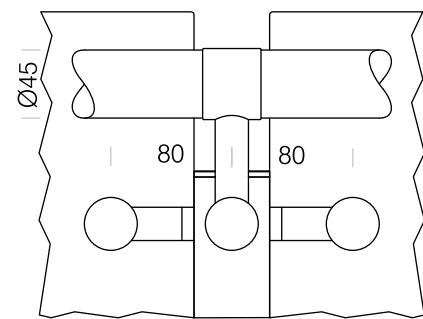
4L Offset Stem Toprail / Double Infill Panel



4H Offset Stem Toprail / Single Infill Panel - *Raised Glass*

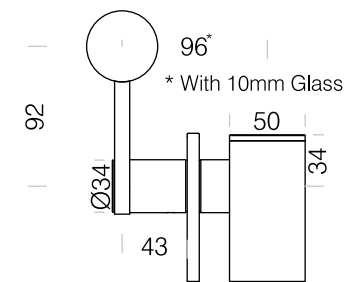
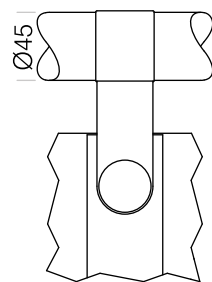


4L Offset Stem Toprail / Double Infill Panel - *Raised Glass*

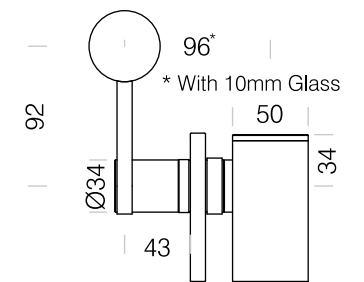
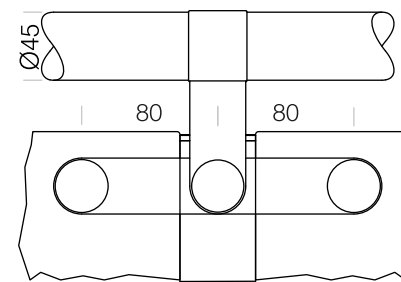


FIN

4P Offset Fin Toprail / Single Infill Panel ®



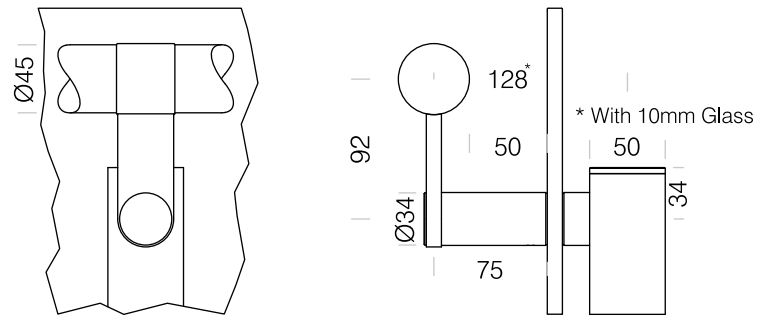
4Q Offset Fin Toprail / Double Infill Panel ®



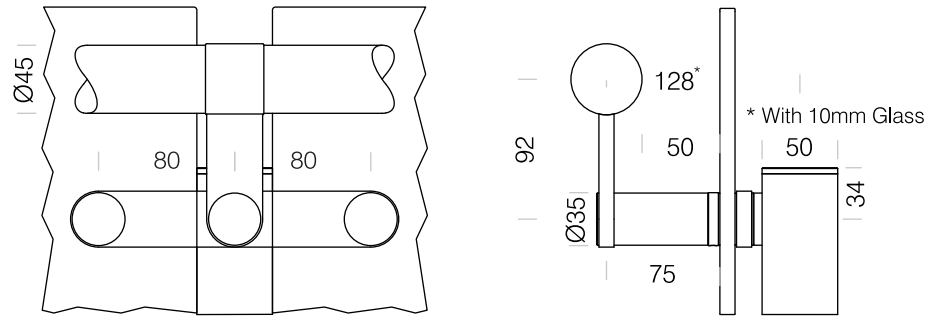
04 TOPRAIL CONNECTIONS - Ø45mm NODE® MODULAR - CONTINUED

® = Registered Design

4P Offset Fin Toprail / Single Infill Panel ® - *Raised Glass*

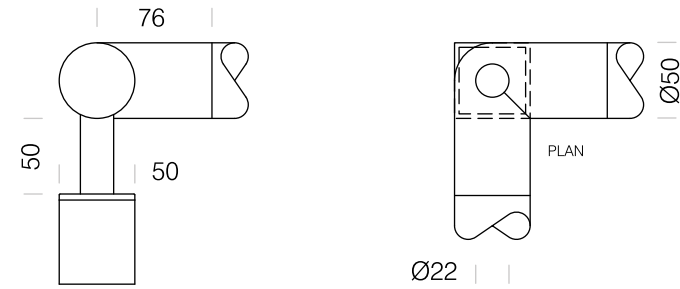


4Q Offset Fin Toprail / Double Infill Panel ® - *Raised Glass*

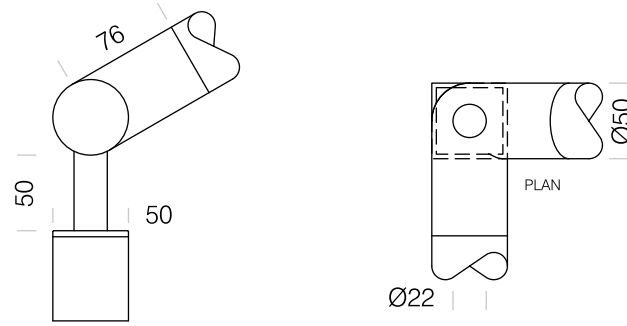


03 INTERSECTIONS - Ø50mm TRADITIONAL

3F 90°Bend / Stemmed Upright

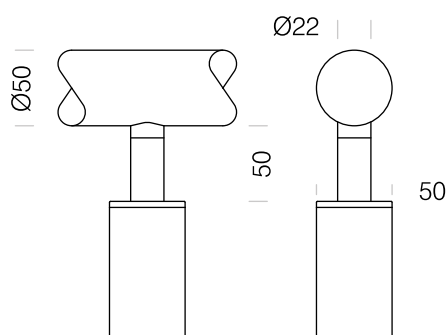


3G Angled 90°Bend / Stemmed Upright

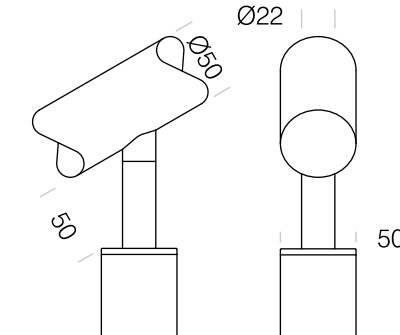


04 TOPRAIL CONNECTIONS - Ø50mm TRADITIONAL

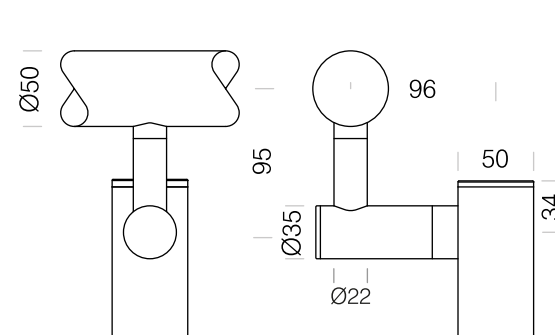
4E Inline Stem Toprail



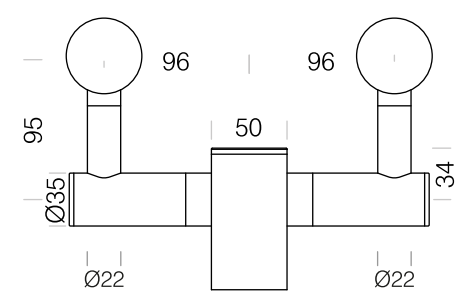
4F Angled Inline Stem Toprail



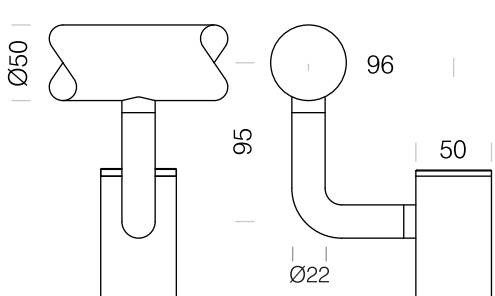
4G Offset Stem Toprail



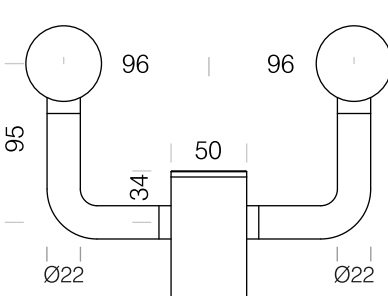
4I Offset Stem Divider Rail



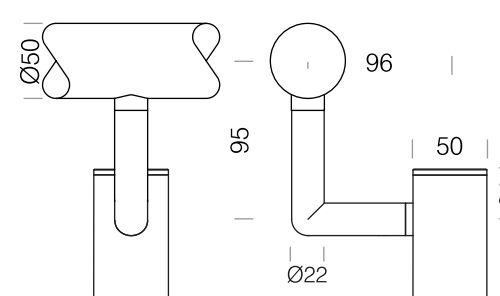
4K Offset Bend Toprail



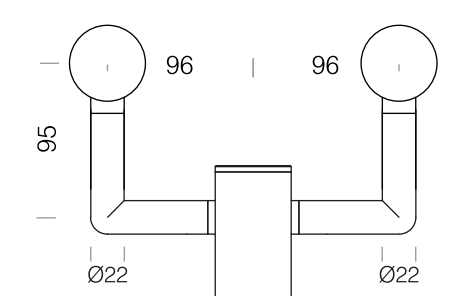
4M Offset Bend Divider Rail



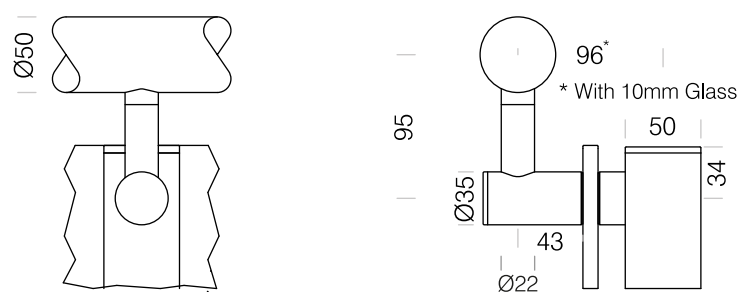
4V Offset Ball Bend Toprail



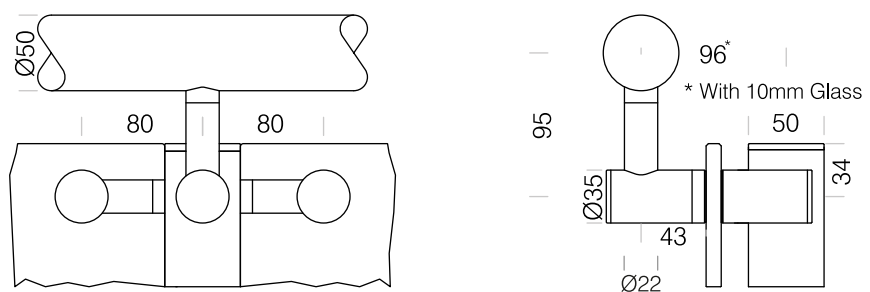
4W Offset Ball Bend Divider Rail



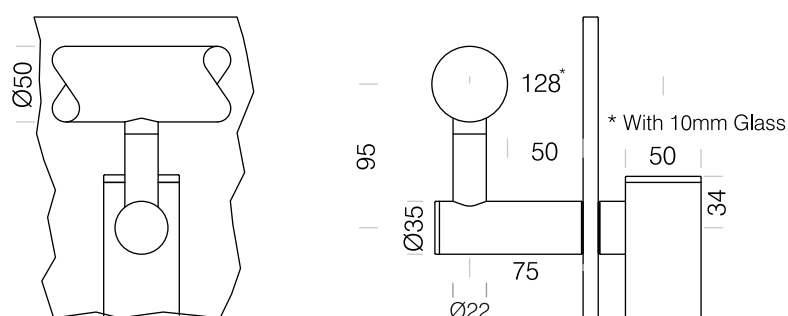
4H Offset Stem Toprail / Single Infill Panel



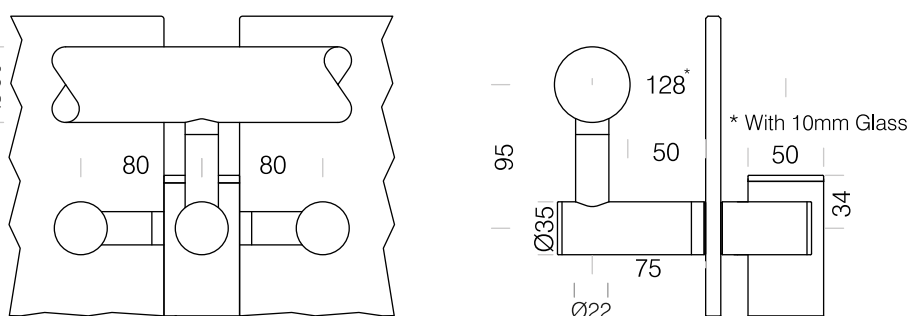
4L Offset Stem Toprail / Double Infill Panel



4H Offset Stem Toprail / Single Infill Panel - *Raised Glass*

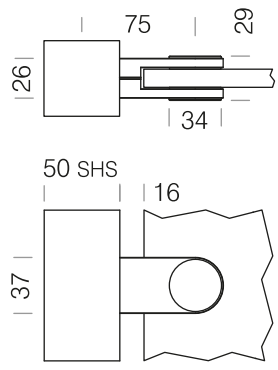


4L Offset Stem Toprail / Double Infill Panel - *Raised Glass*

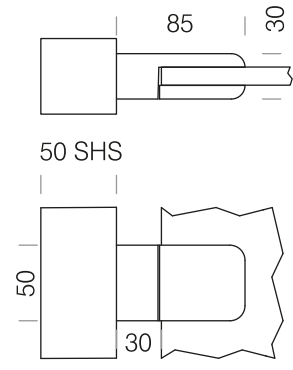


05 INFILLS

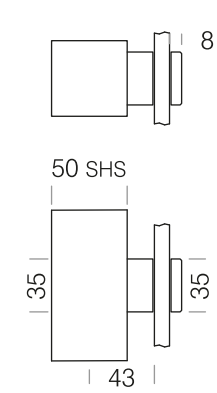
5A Inline Panel Holder ®



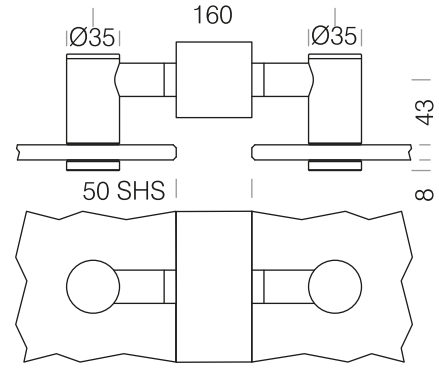
5B Inline Panel Holder



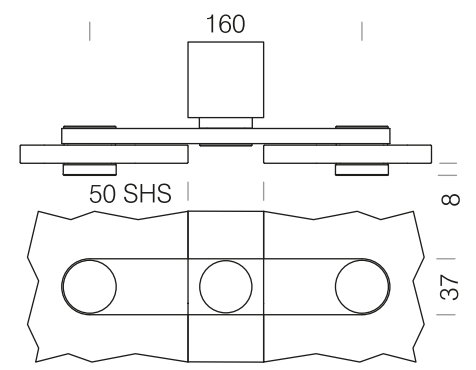
5C Offset Panel Holder



5H Double Offset Panel Holder

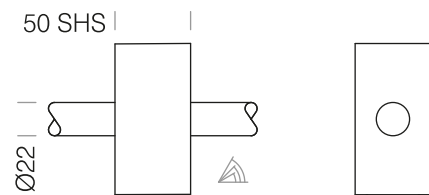


5I Double Offset Fin Panel Holder

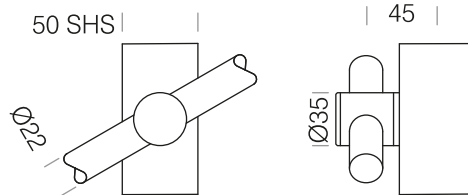


RAILS

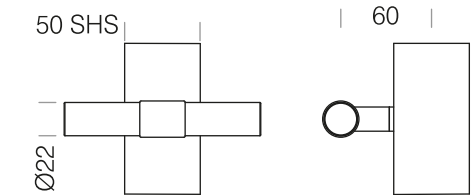
5D Inline Midrails



5E Offset Midrails

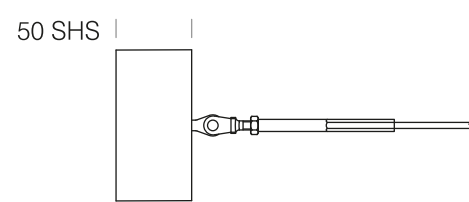


5J Offset Node Midrails

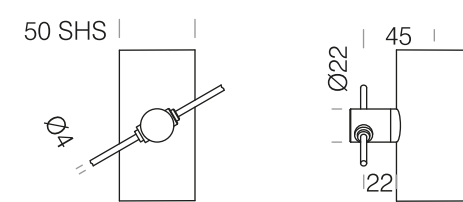


WIRES

5F Inline Wire Rope

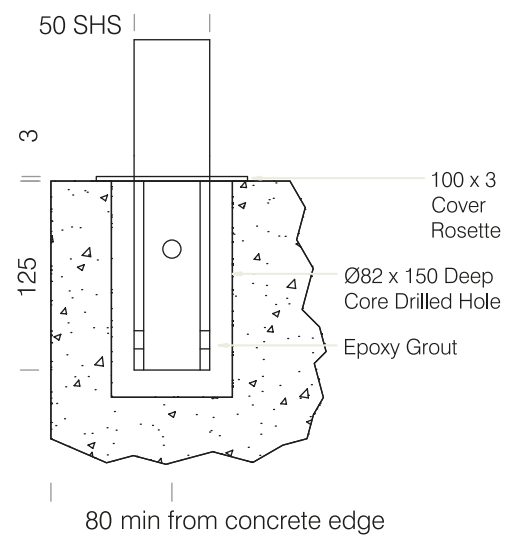


5G Offset Tension Wire Rope

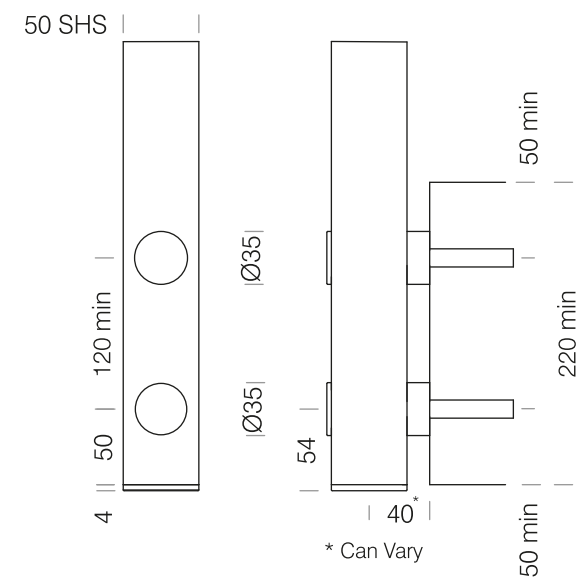


06 FIXINGS

6A Spigot Fixing



6E Side Fixing



6F Top Fixing

