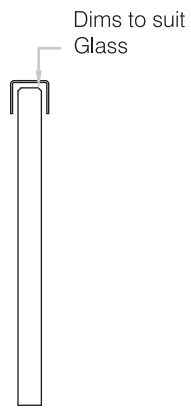
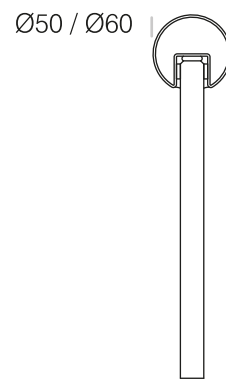


CAPPING RAILS

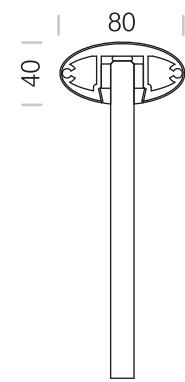
**4U** Inline Capping Toprail



**4A** Inline Circular Toprail

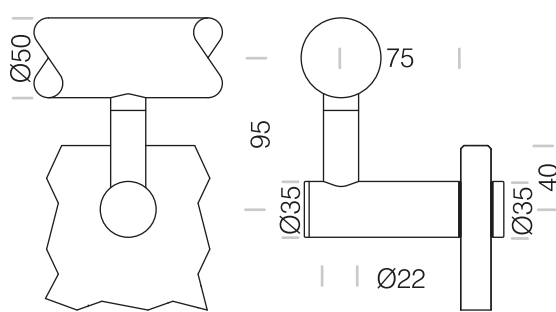


**4J** Inline Elliptical Toprail

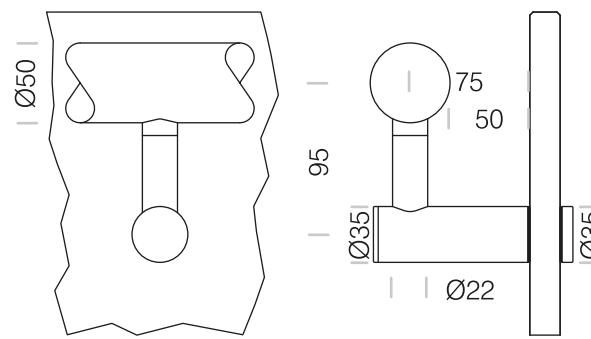


STEM

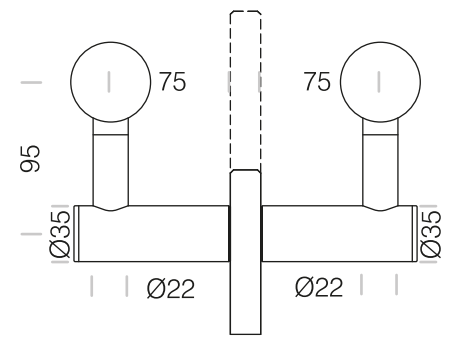
**4G** Offset Stem Toprail Connector



**4G** Offset Stem Toprail Connector - *Raised Glass*

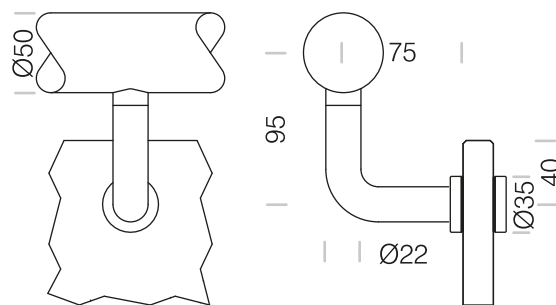


**4I** Offset Stem Divider Rail

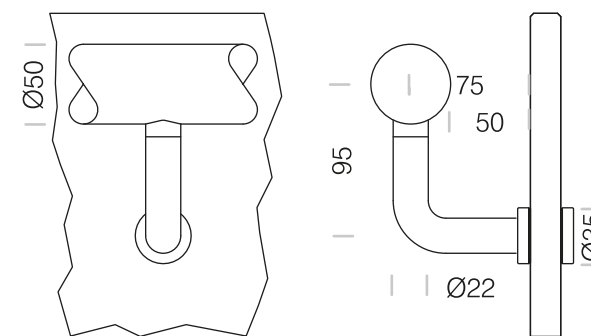


BEND

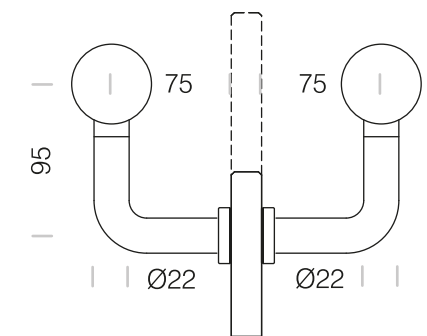
**4K** Offset Bend Toprail Connector



**4K** Offset Bend Toprail Connector - *Raised Glass*

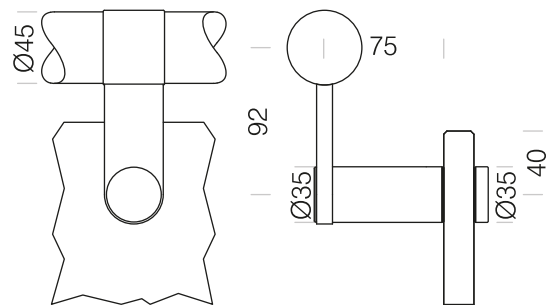


**4M** Offset Bend Divider Rail

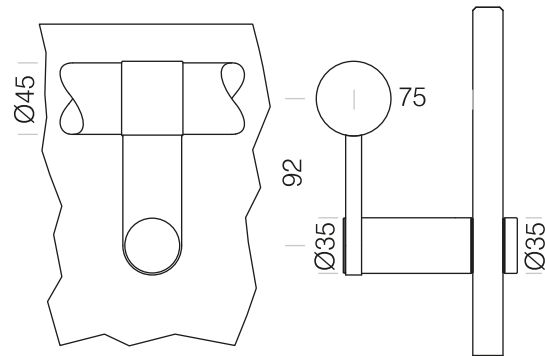


FIN

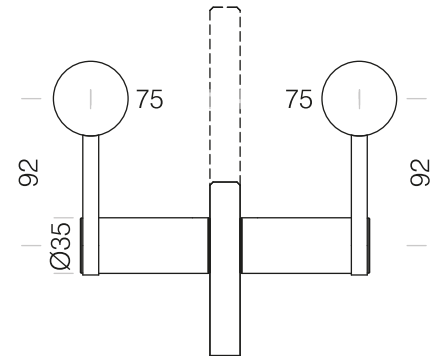
**4N** Offset Fin Toprail ®



**4N** Offset Fin Toprail ® - *Raised Glass*

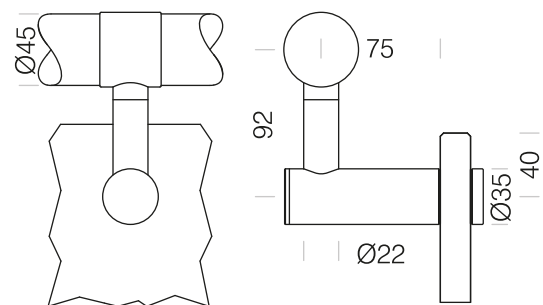


**4R** Offset Fin Divider Rail ®

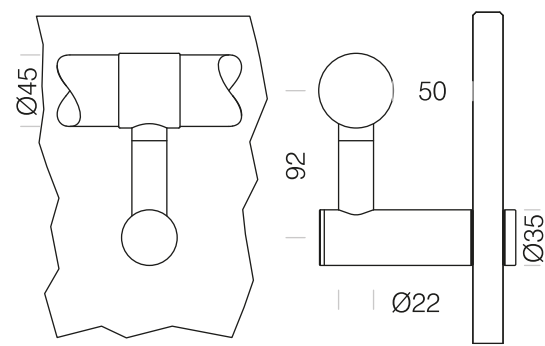


STEM

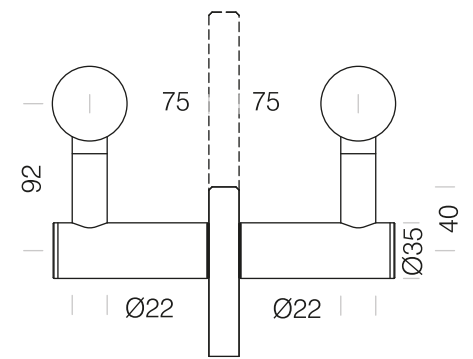
**4G** Offset Stem Toprail



**4G** Offset Stem Toprail - *Raised Glass*

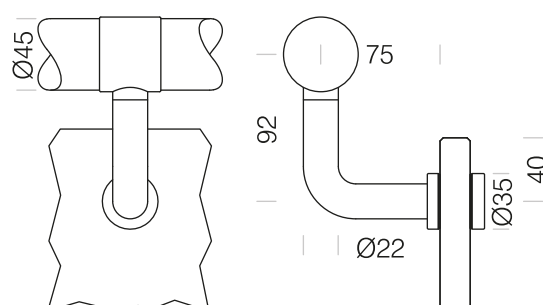


**4I** Offset Stem Divider Rail

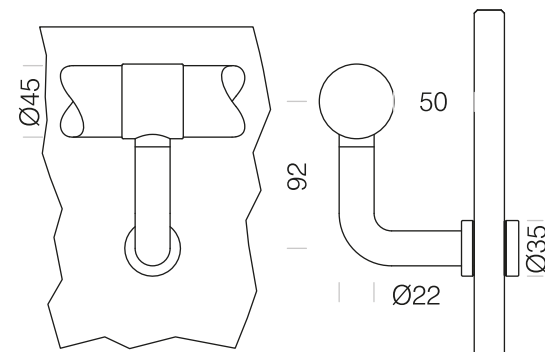


BEND

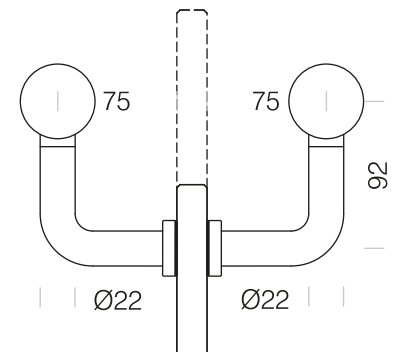
**4K** Offset Bend Toprail



**4K** Offset Bend Toprail - *Raised Glass*

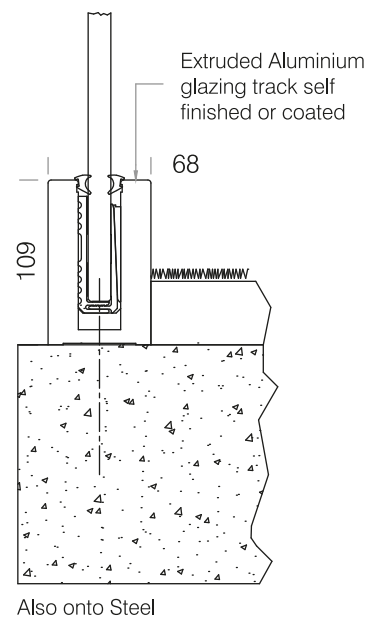


**4M** Offset Bend Divider Rail

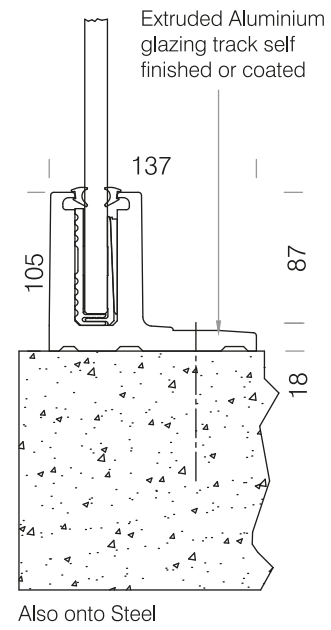


TRACKS

**6D** Track Fixing 'U' Section

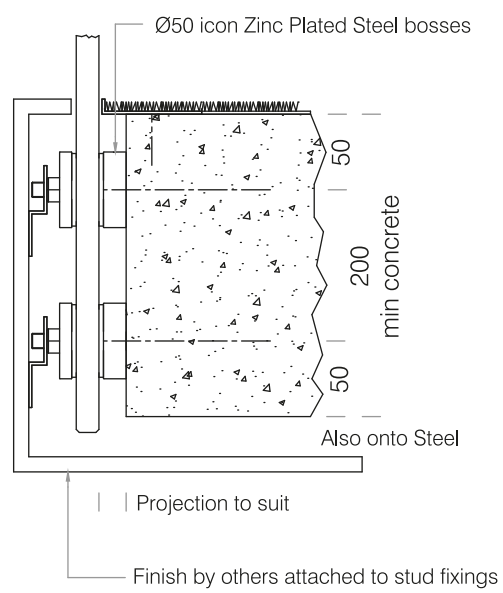


**6F** Track Fixing 'F' Section



BOSSSES

**6BMX** Boss Fixing



**6B** Boss Fixing

