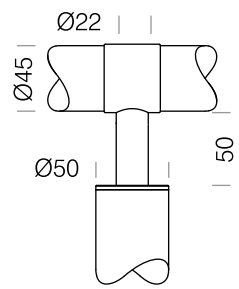


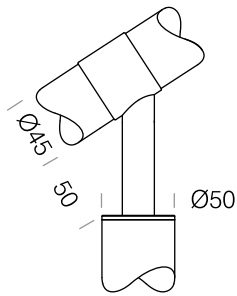
04 TOPRAIL CONNECTIONS - Ø45mm NODE® MODULAR

® = Registered Design

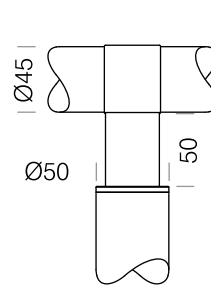
4E Inline Stem



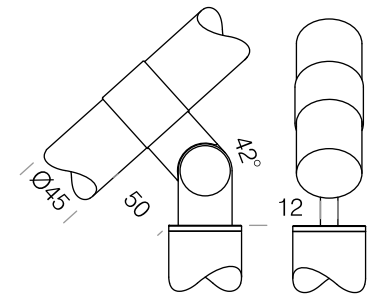
4F Angled Inline Stem



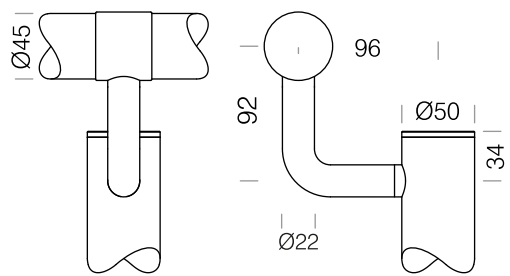
4S Inline Fin



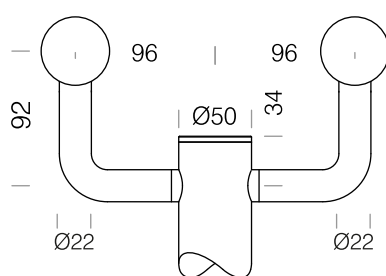
4T Angled Inline Fin ®



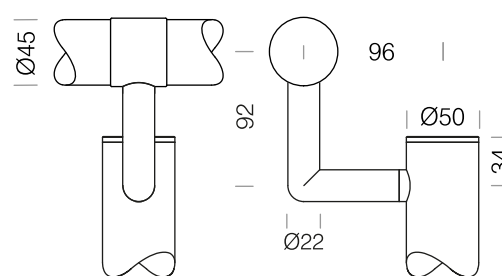
4K Offset Bend Toprail



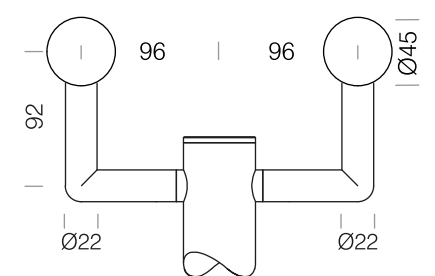
4M Offset Bend Divider Rail



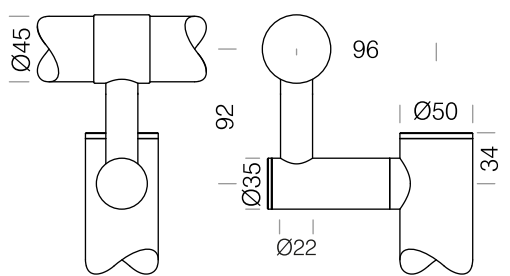
4V Offset Ball Bend Toprail



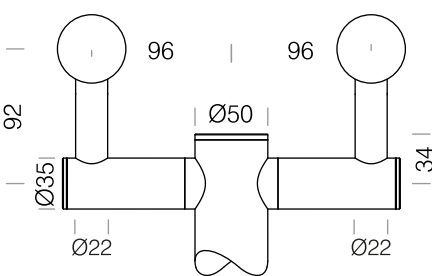
4W Offset Ball Bend Divider Rail



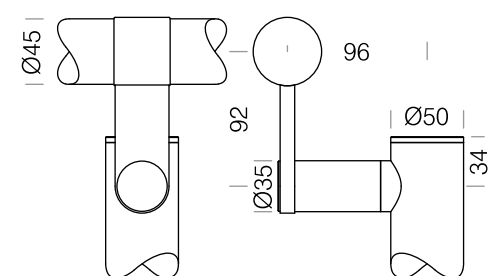
4G Offset Stem Toprail



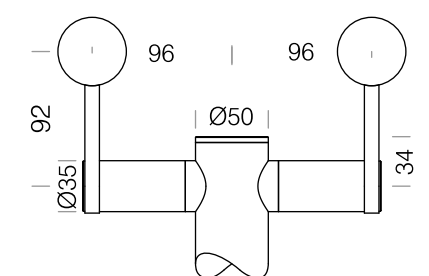
4I Offset Stem Divider Rail



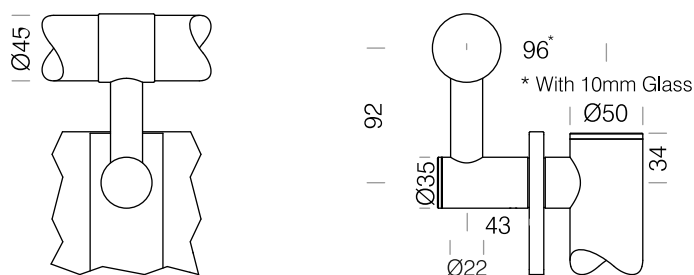
4N Offset Fin ®



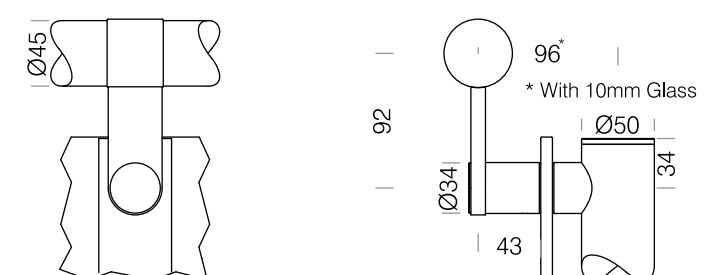
4R Offset Fin Divider ®



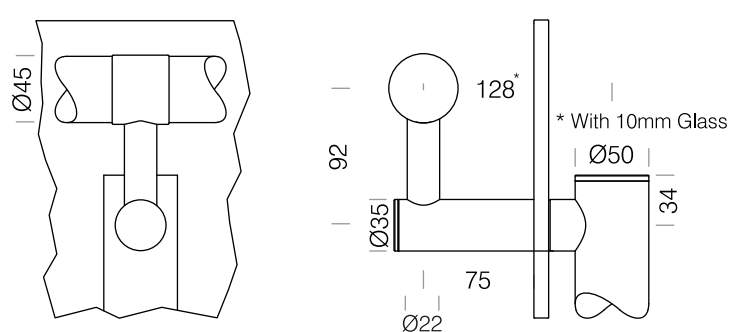
4H Offset Stem Toprail / Single Infill Panel



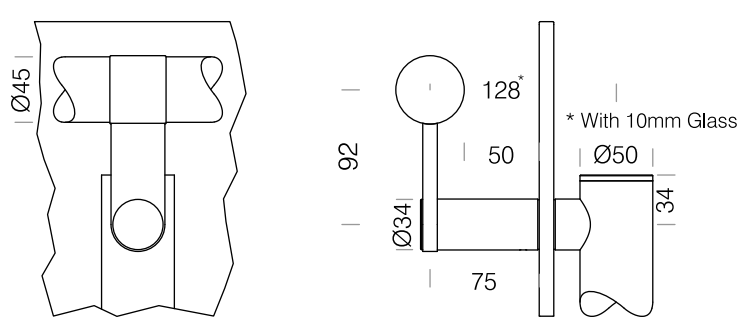
4P Offset Fin Toprail / Single Infill Panel ®



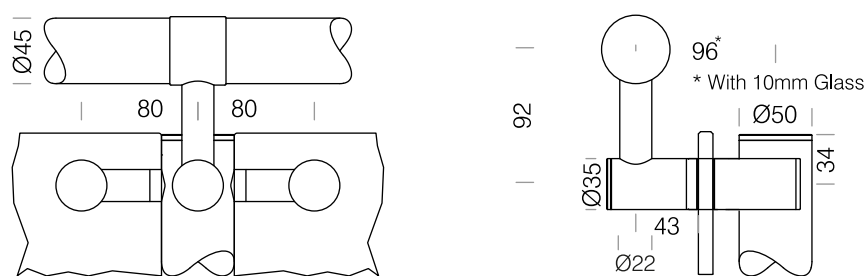
4H Offset Stem Toprail / Single Infill Panel - Raised Glass



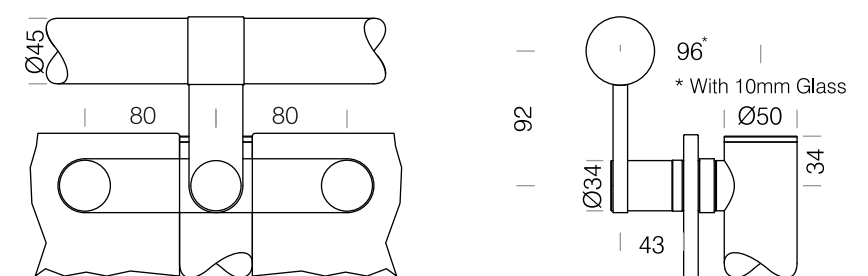
4P Offset Fin Toprail / Single Infill Panel ® - Raised Glass



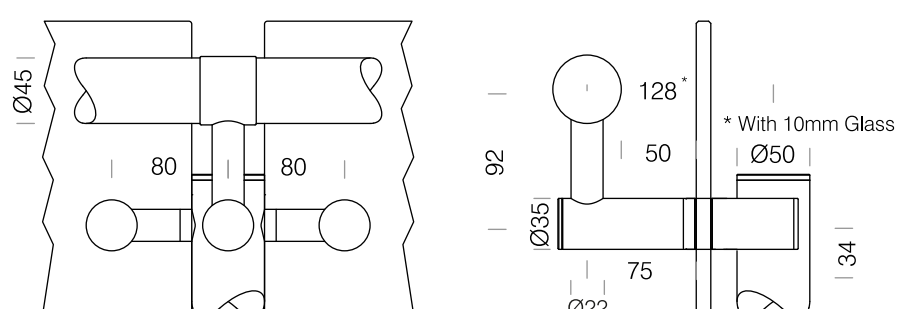
4L Offset Stem Toprail / Double Infill Panel



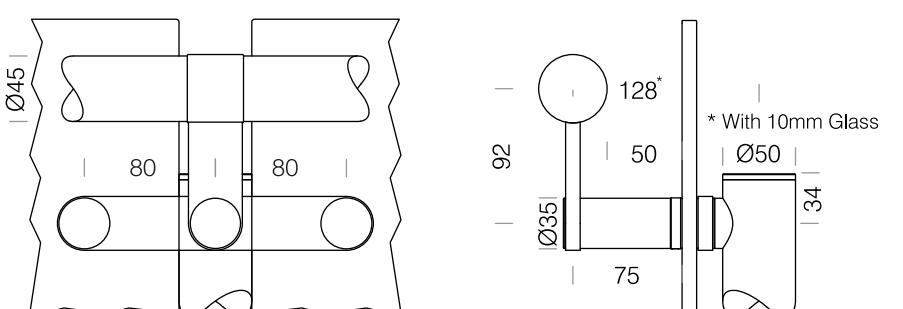
4Q Offset Fin Toprail / Double Infill Panel ®



4L Offset Stem Toprail / Double Infill Panel - Raised Glass



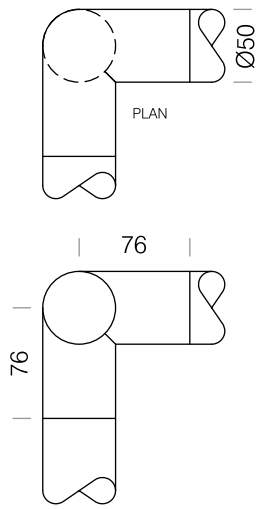
4Q Offset Fin Toprail / Double Infill Panel ® - Raised Glass



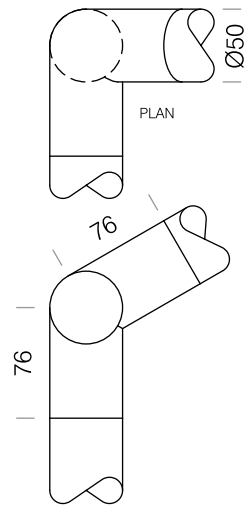
03 INTERSECTIONS - Ø50mm TRADITIONAL

® = Registered Design

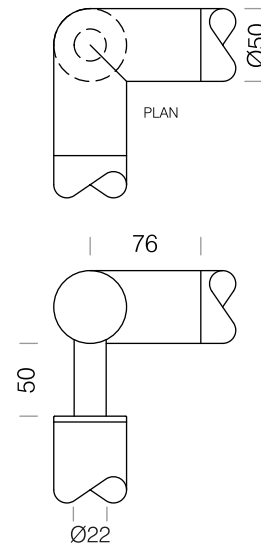
3D 90° Bend / Upright



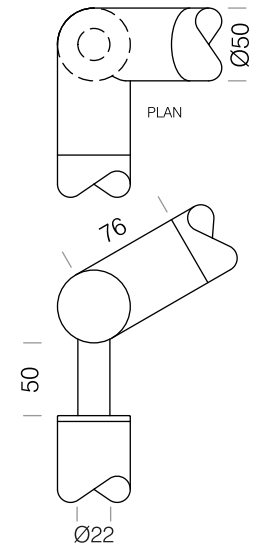
3E 90° Angled Bend / Upright



3F 90° Bend / Stemmed Upright

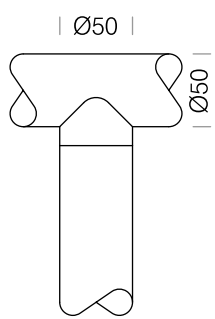


3G Angled 90° Bend / Stemmed Upright

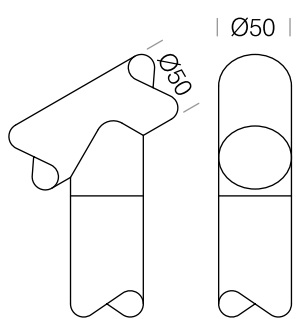


04 TOPRAIL CONNECTIONS - Ø50mm TRADITIONAL

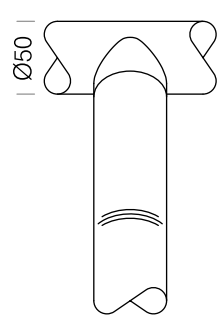
4A Inline Toprail



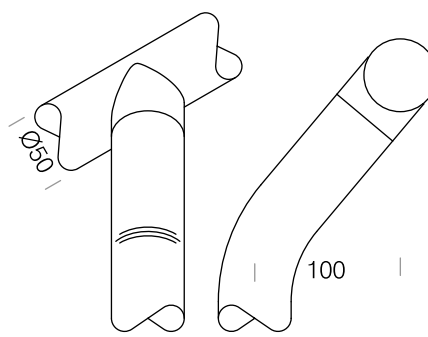
4B Angled Inline Toprail



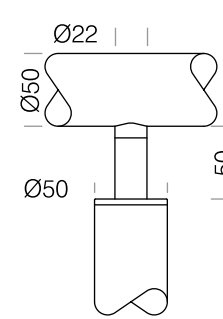
4C Offset Toprail



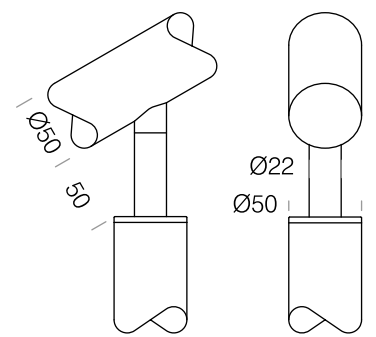
4D Angled Offset Toprail



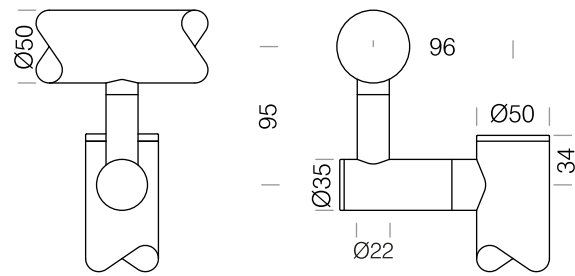
4E Inline Stem



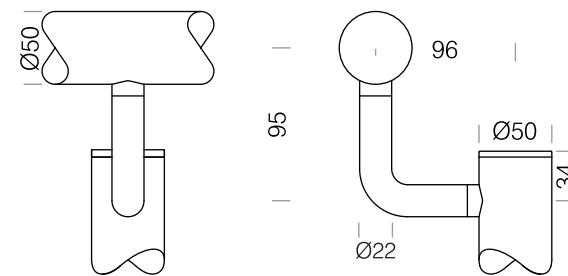
4F Angled Inline Stem



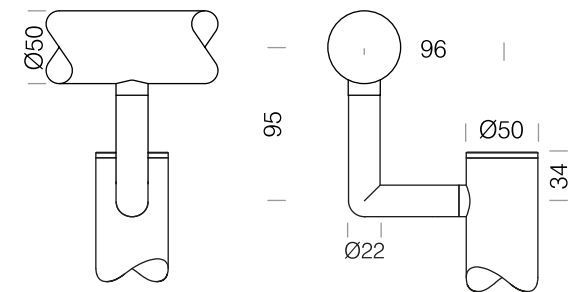
4G Offset Stem Toprail



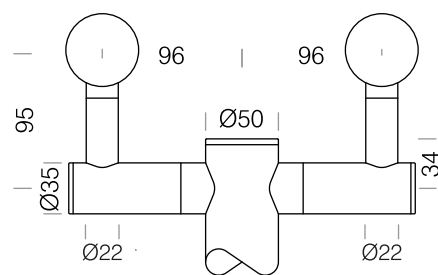
4K Offset Bend Toprail



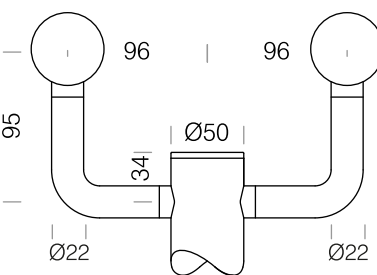
4V Offset Ball Bend Toprail



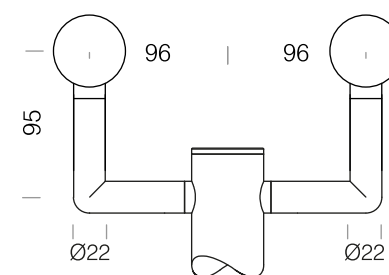
4I Offset Stem Divider Rail



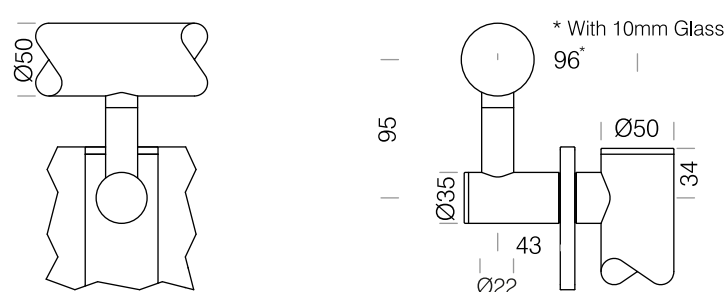
4M Offset Bend Divider Rail



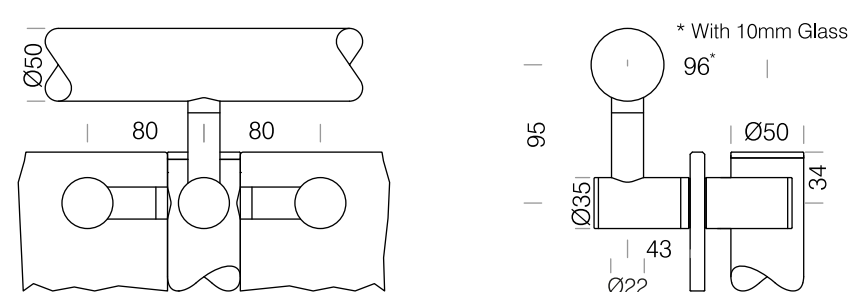
4W Offset Ball Bend Divider Rail



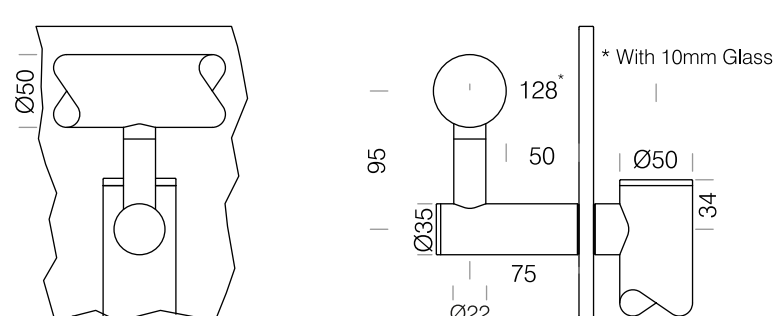
4H Offset Stem Toprail / Single Infill Panel



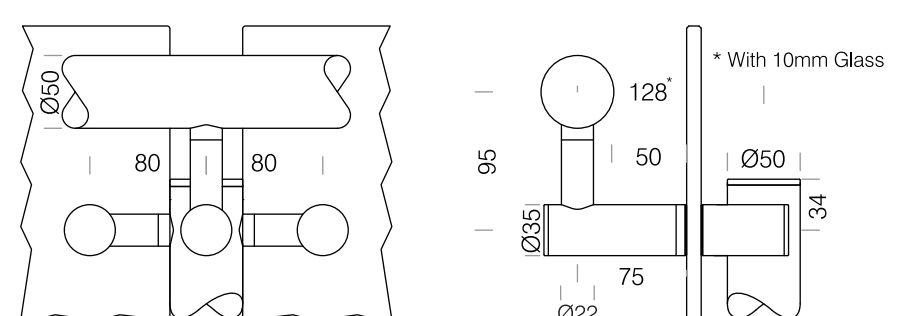
4L Offset Stem Toprail / Double Infill Panel



4H Offset Stem Toprail / Single Infill Panel - *Raised Glass*



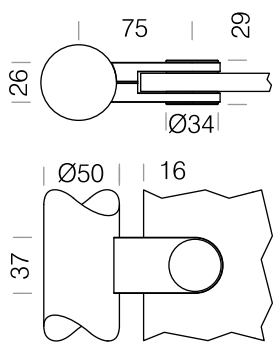
4L Offset Stem Toprail / Double Infill Panel - *Raised Glass*



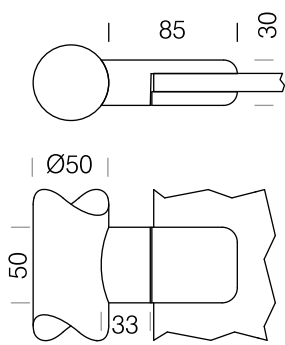
05 INFILLS

® = Registered Design

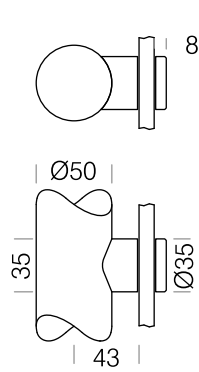
5A Inline Panel Holder ®



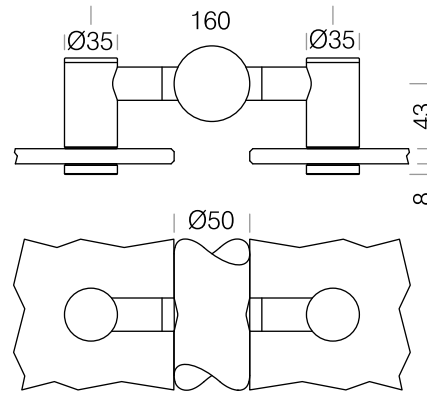
5B Inline Panel Holder



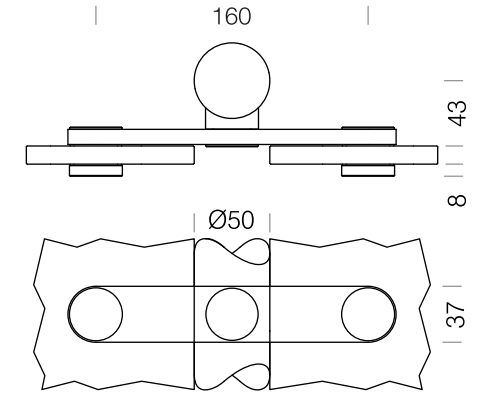
5C Offset Panel Holder



5H Double Offset Panel Holder

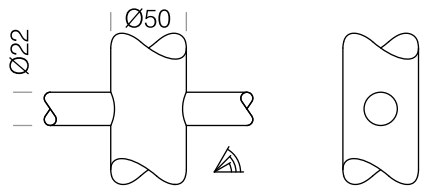


5I Double Offset Fin Panel Holder

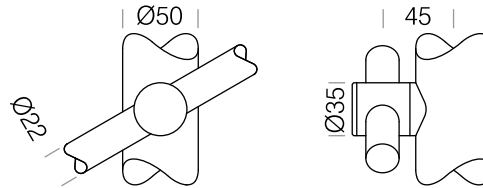


RAILS

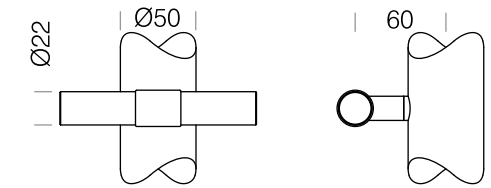
5D Inline Midrails



5E Offset Midrails

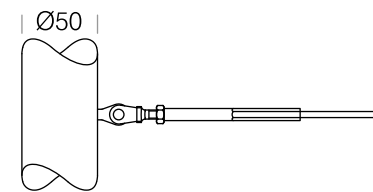


5J Offset Node Midrails

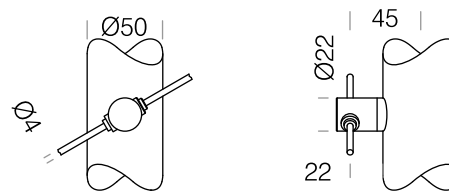


WIRES

5F Inline Wire Rope

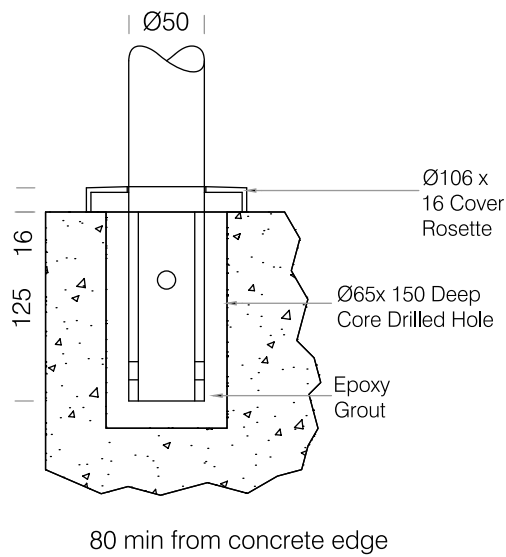


5G Offset Tension Wire Rope

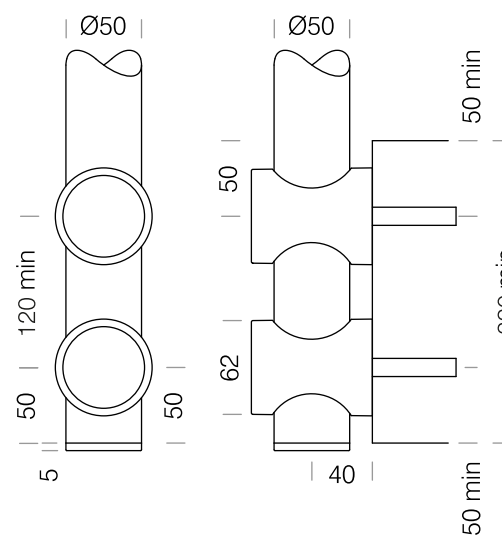


06 FIXINGS

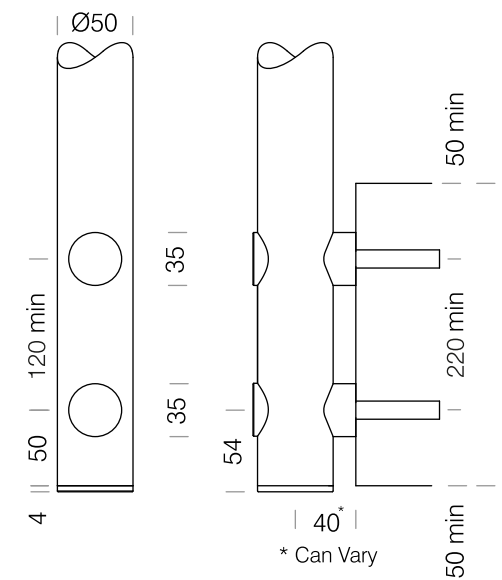
6A Spigot Fixing



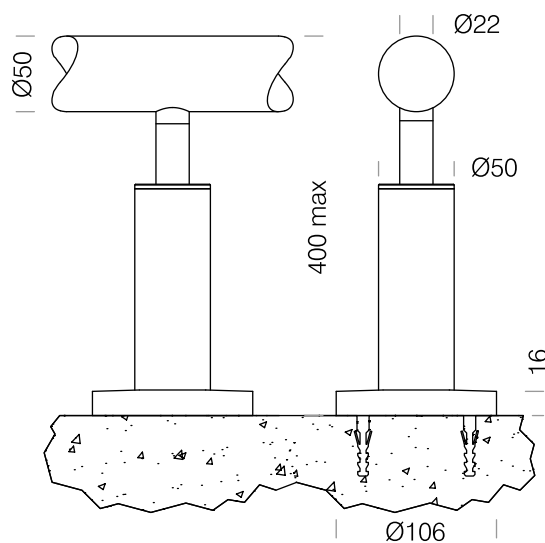
6B Side Fixing



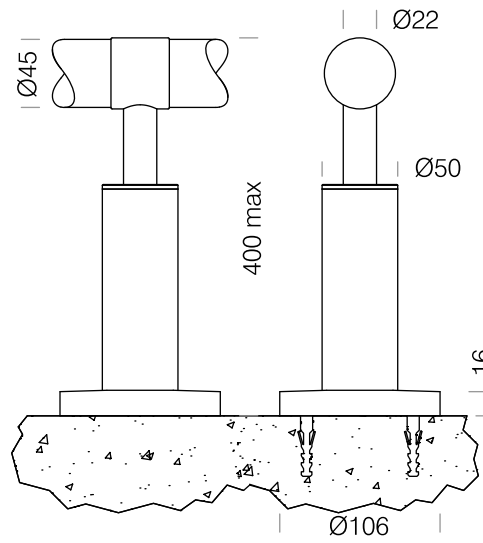
6E Side Fixing



6C Face Fixing TRADITIONAL



6C Face Fixing NODE



6F Top Fixing

