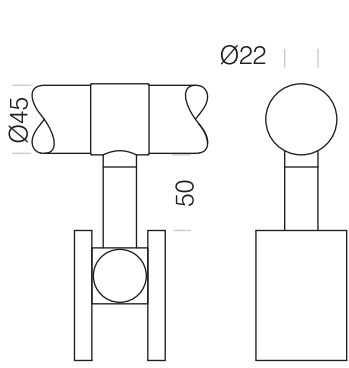
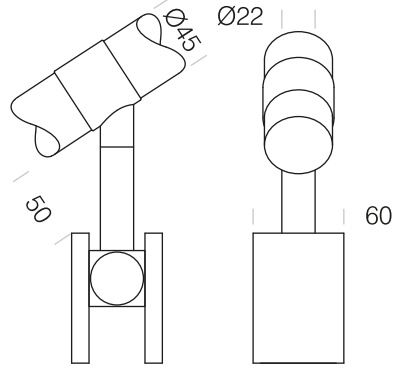


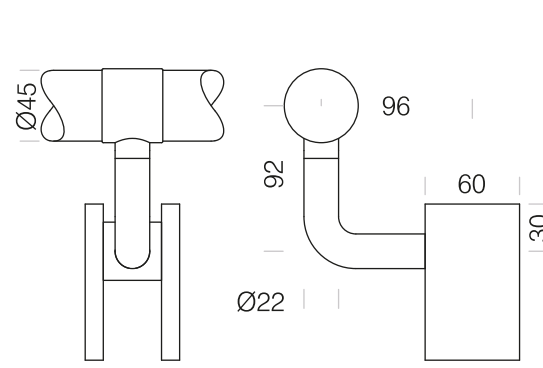
4E Inline Stem Toprail



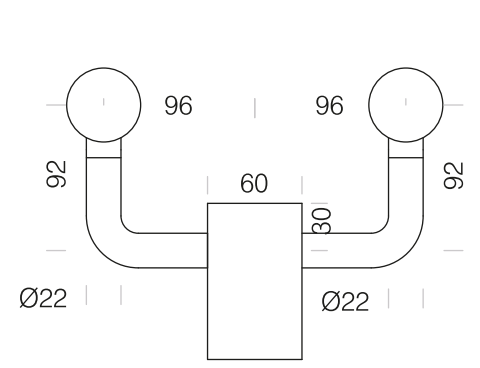
4F Angled Inline Stem Toprail



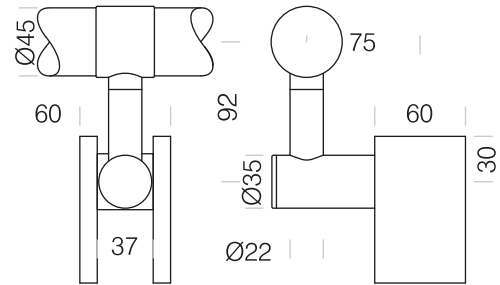
4K Offset Bend Toprail



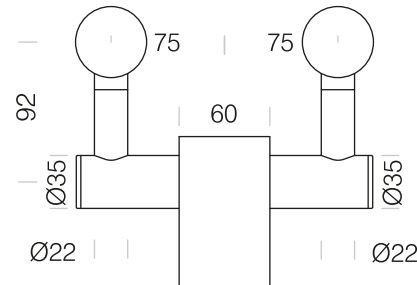
4M Offset Bend Divider Rail



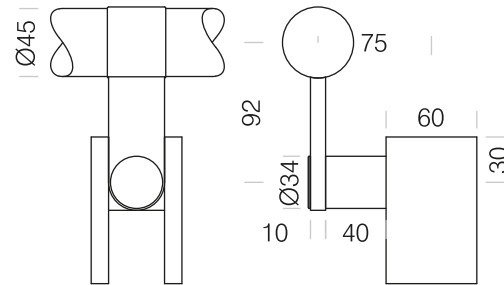
4G Offset Stem Toprail



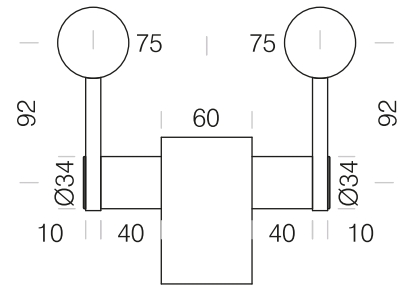
4I Stem Divider Rail



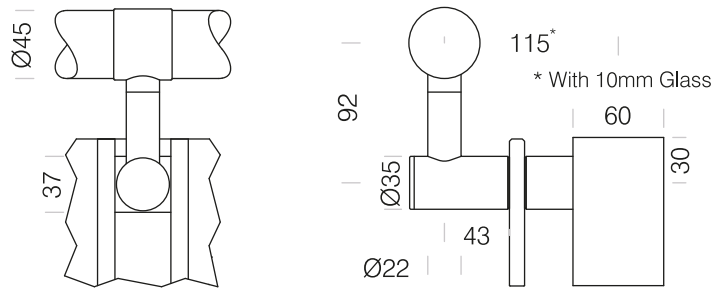
4N Offset Fin Toprail ®



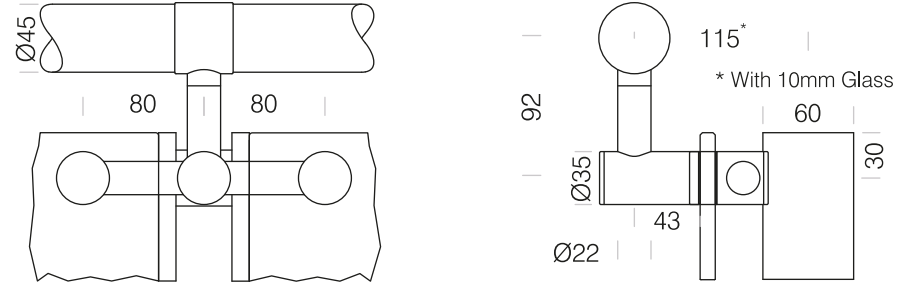
4R Fin Divider Rail ®



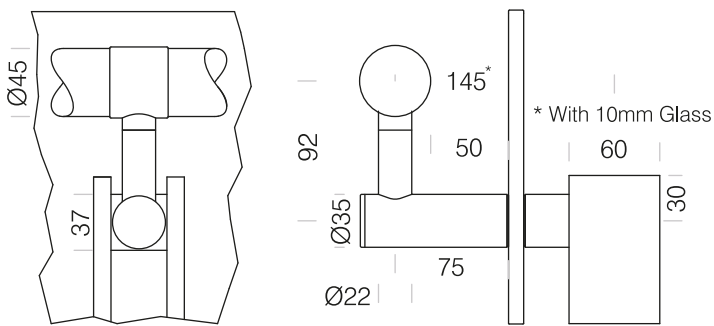
STEM **4H** Offset Stem Toprail / Single Infill Panel



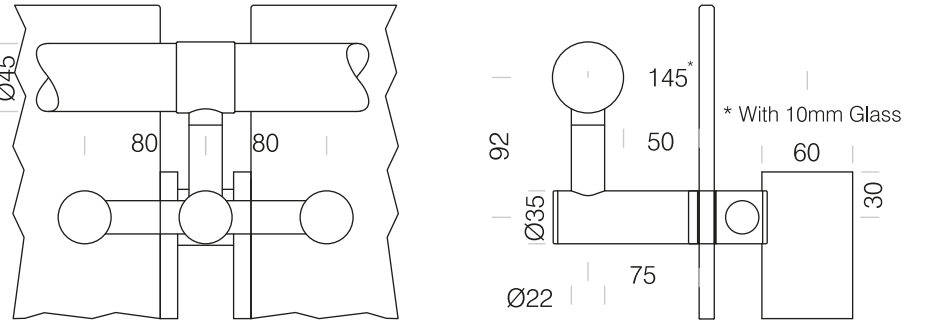
4L Offset Stem Toprail / Double Infill Panel



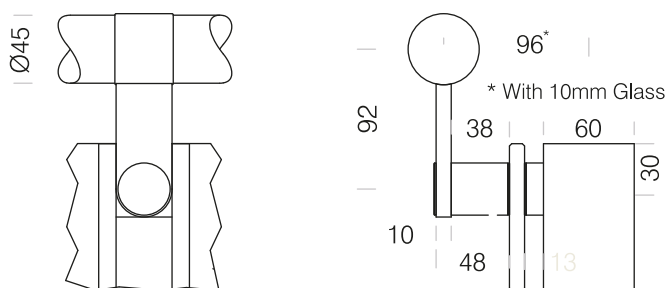
4H Offset Stem Toprail / Single Infill Panel - *Raised Glass*



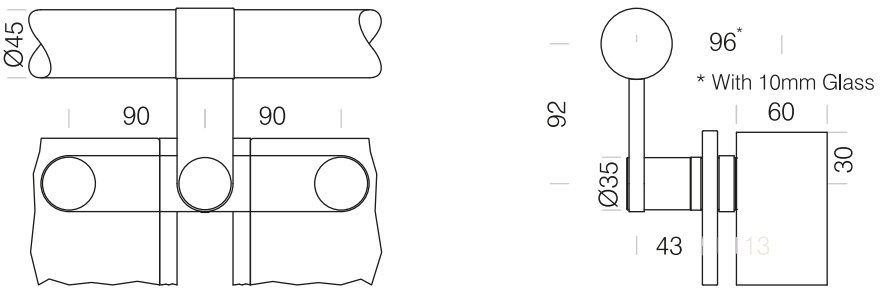
4L Offset Stem Toprail / Double Infill Panel - *Raised Glass*



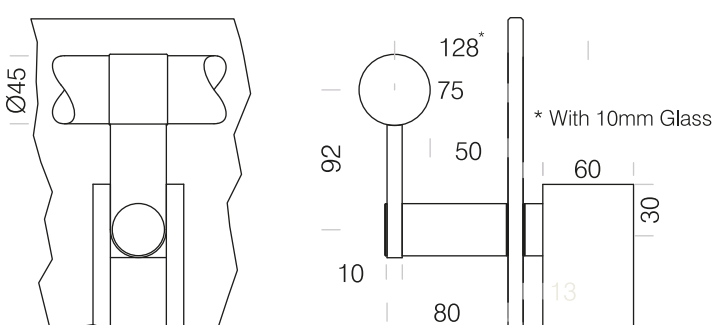
FIN **4P** Offset Fin Toprail / Single Infill Panel ®



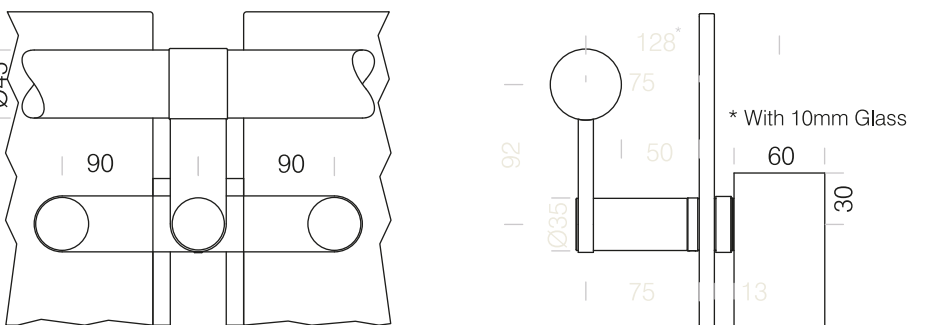
4Q Offset Fin Toprail / Double Infill Panel ®



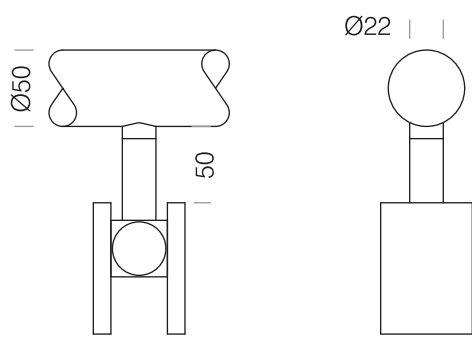
4P Offset Fin Toprail / Single Infill Panel ® - *Raised Glass*



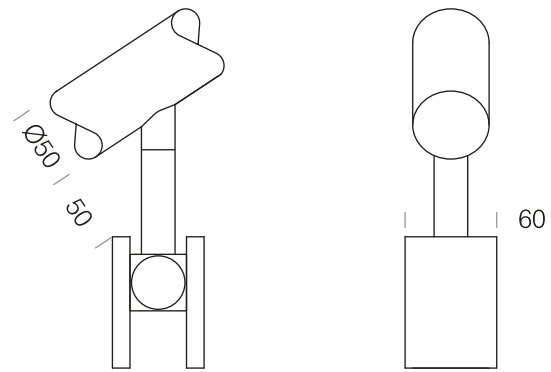
4Q Offset Fin Toprail / Double Infill Panel ® - *Raised Glass*



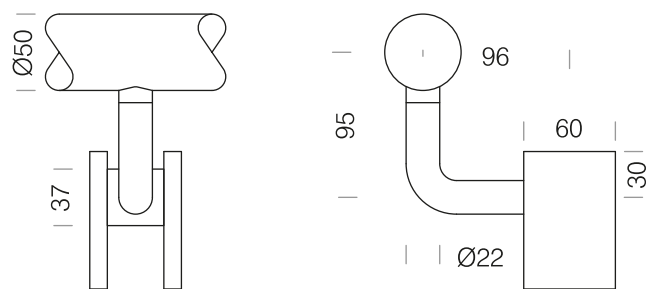
STEM **4E** Inline Stem Toprail



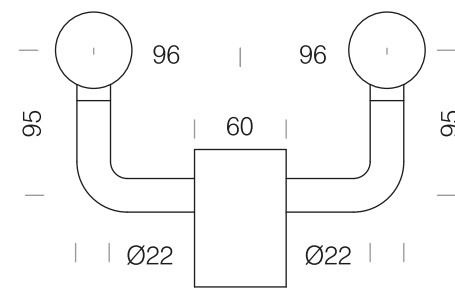
4F Angled Inline Stem Toprail



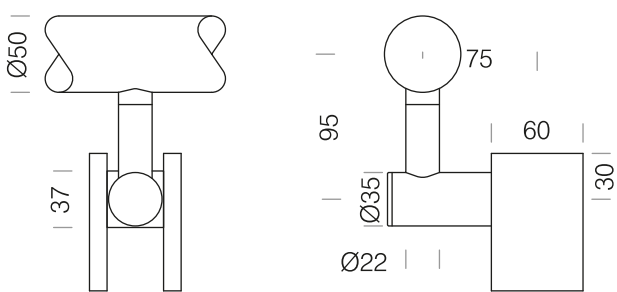
BEND **4K** Offset Bend Toprail



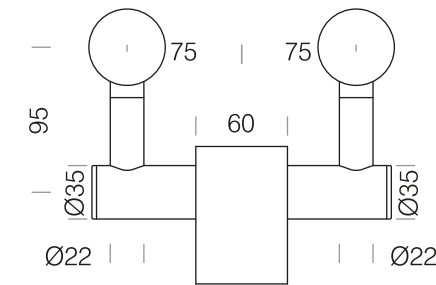
4M Offset Bend Divider Rail



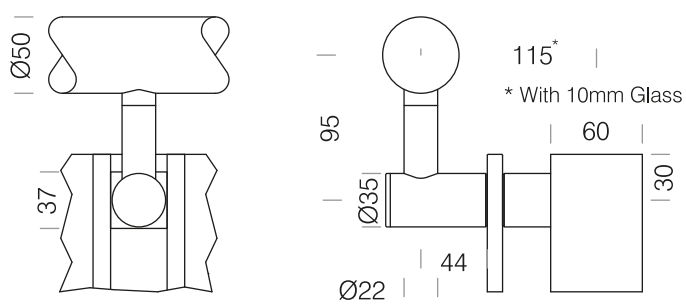
STEM **4G** Offset Stem Toprail



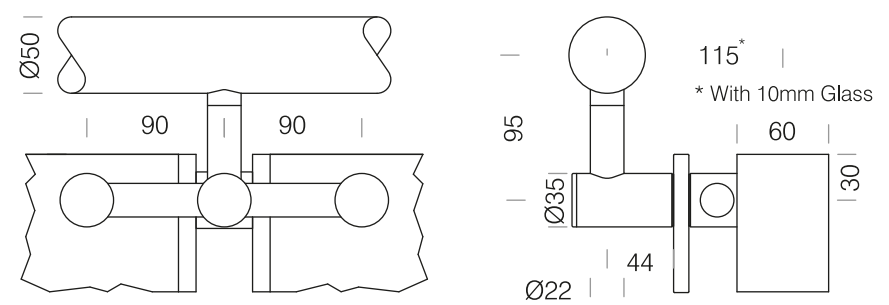
4I Offset Stem Divider Rail



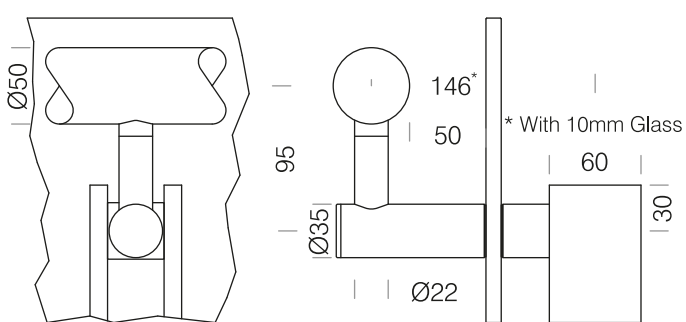
4H Offset Stem Toprail / Single Infill Panel



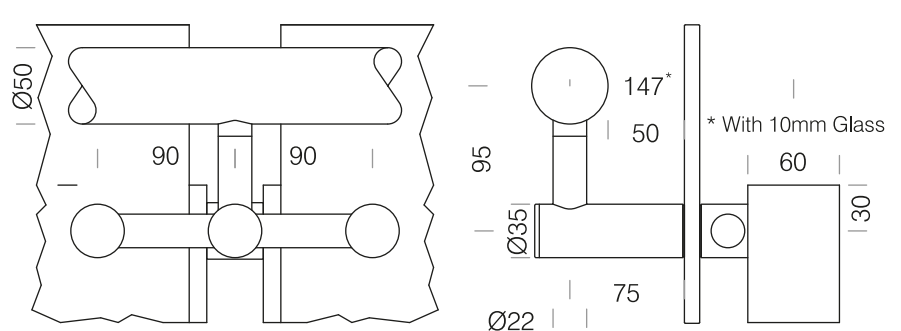
4L Offset Stem Toprail / Double Infill Panel



4H Offset Stem Toprail / Single Infill Panel - *Raised Glass*



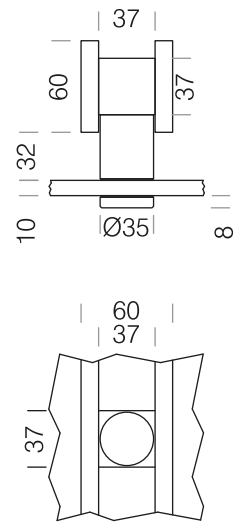
4L Offset Stem Toprail / Double Infill Panel - *Raised Glass*



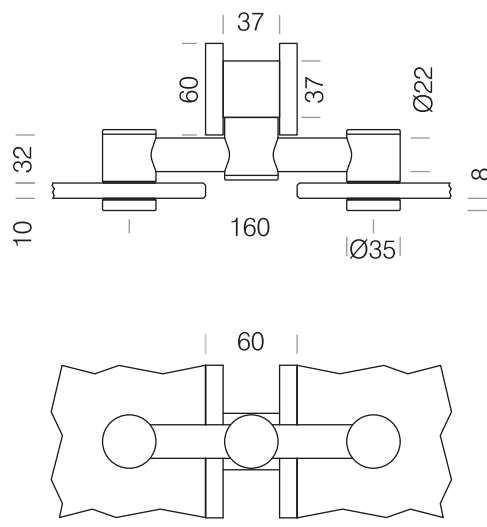
05 INFILLS

® = Registered Design

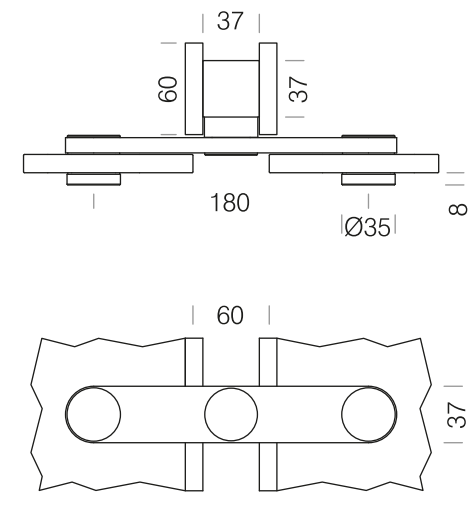
5C Single Offset Panel Holder



5H Double Offset Panel Holder

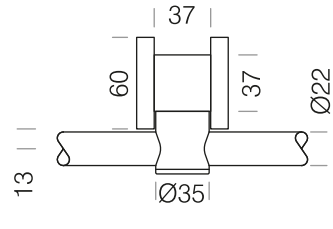
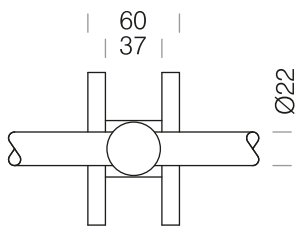


5I Double Offset Fin Panel Holder*

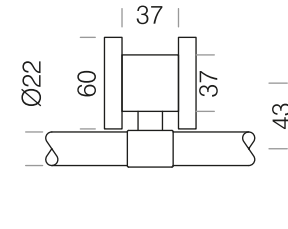
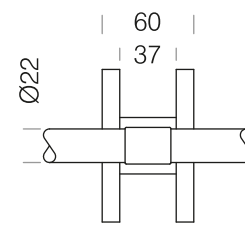


* Node Handrail only

5E Offset Midrails

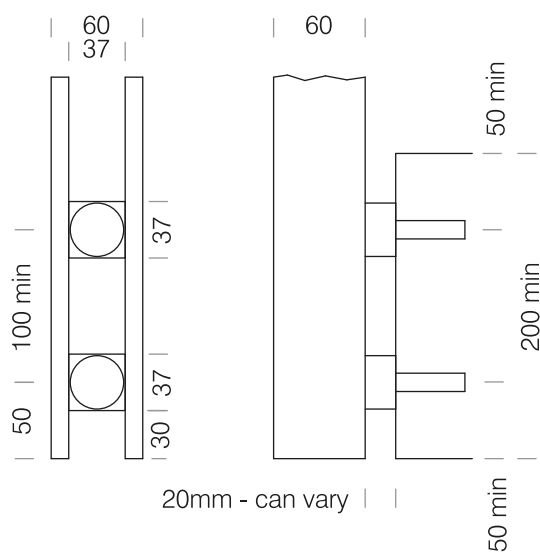


5J Offset Node Midrails

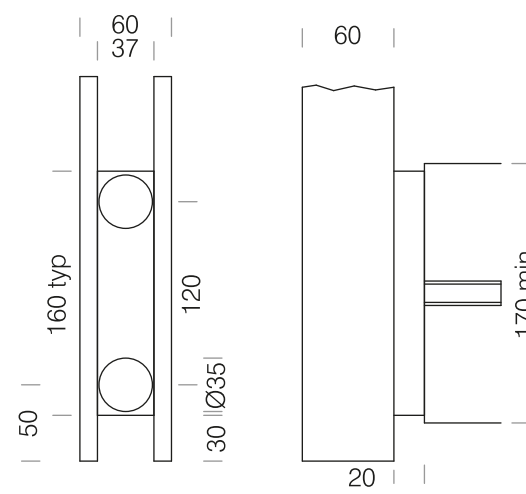


06 FIXINGS

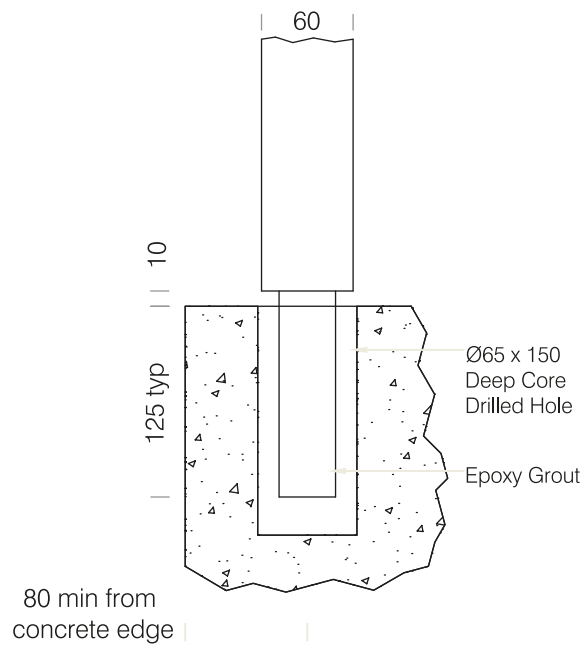
6E Side Fixing



6G Fin Side Fixing



6A Spigot Fixing



6F Top Fixing

