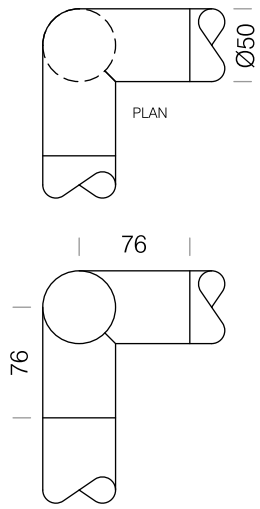


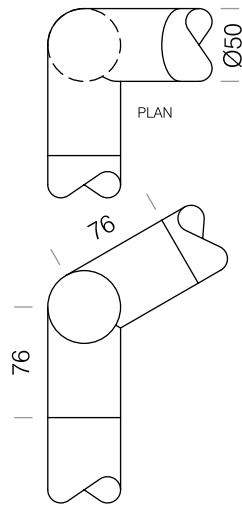
03 INTERSECTIONS - Ø50mm TRADITIONAL

® = Registered Design

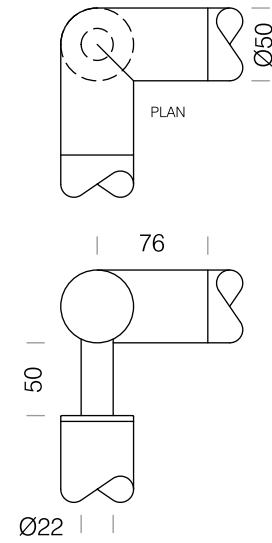
**3D** 90° Bend / Upright



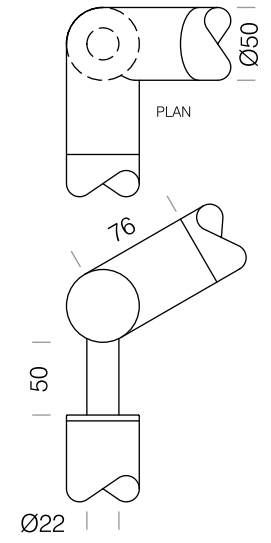
**3E** 90° Angled Bend / Upright



**3F** 90° Bend / Stemmed Upright

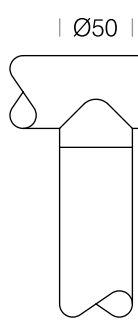


**3G** Angled 90° Bend / Stemmed Upright

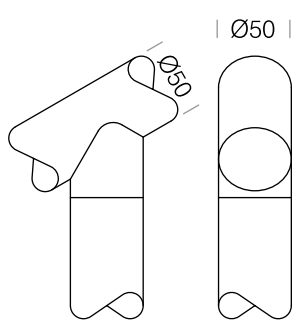


04 TOPRAIL CONNECTIONS - Ø50mm TRADITIONAL

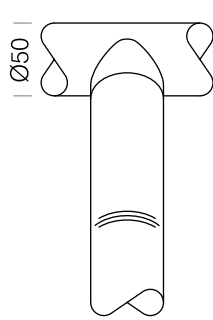
**4A** Inline Toprail



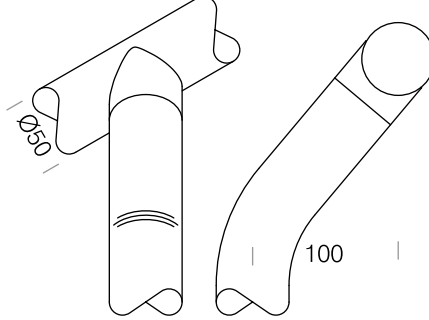
**4B** Angled Inline Toprail



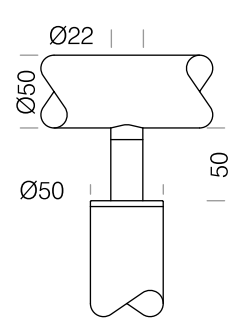
**4C** Offset Toprail



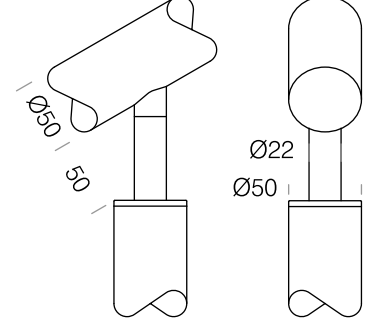
**4D** Angled Offset Toprail



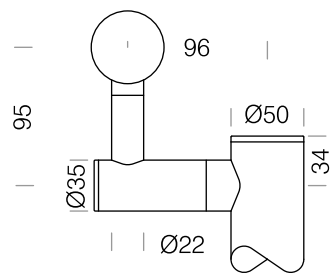
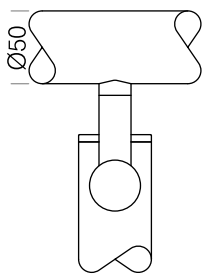
**4E** Inline Stem



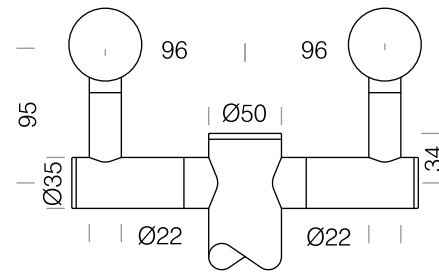
**4F** Angled Inline Stem



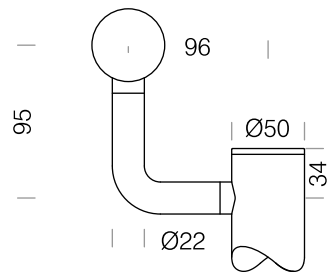
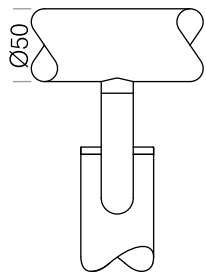
STEM **4G** Offset Stem Toprail



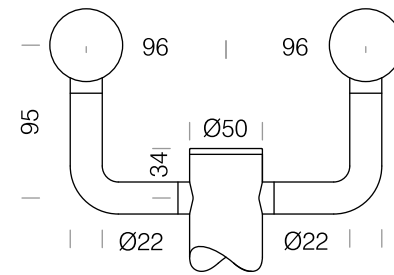
**4I** Offset Stem Divider Rail



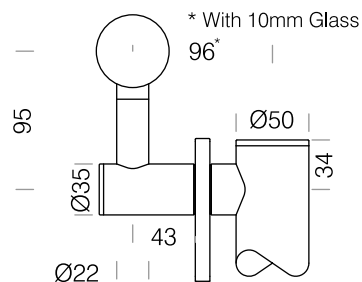
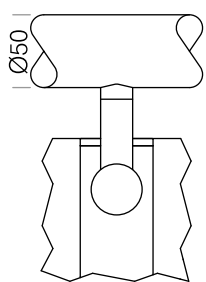
BEND **4K** Offset Bend Toprail



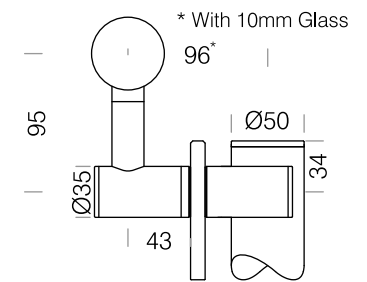
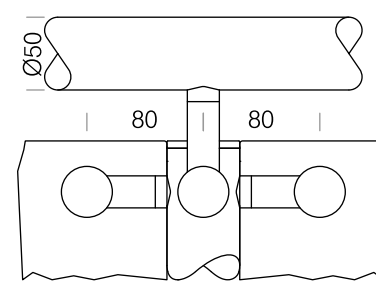
**4M** Offset Bend Divider Rail



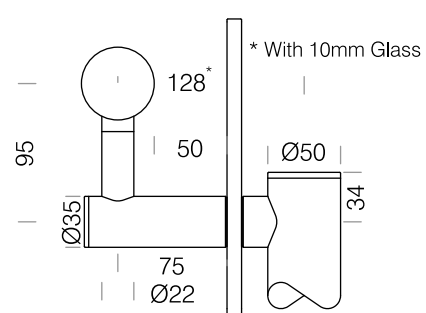
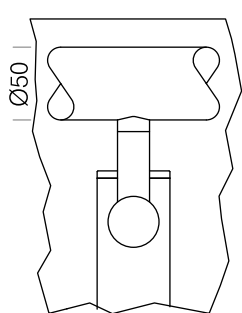
STEM **4H** Offset Stem Toprail / Single Infill Panel



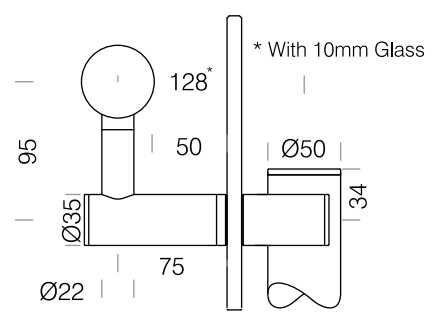
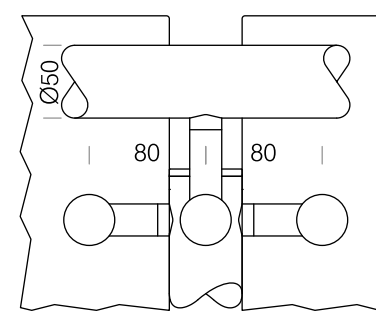
**4L** Offset Stem Toprail / Double Infill Panel



**4H** Offset Stem Toprail / Single Infill Panel - *Raised Glass*



**4L** Offset Stem Toprail / Double Infill Panel - *Raised Glass*



**4E** Inline Stem

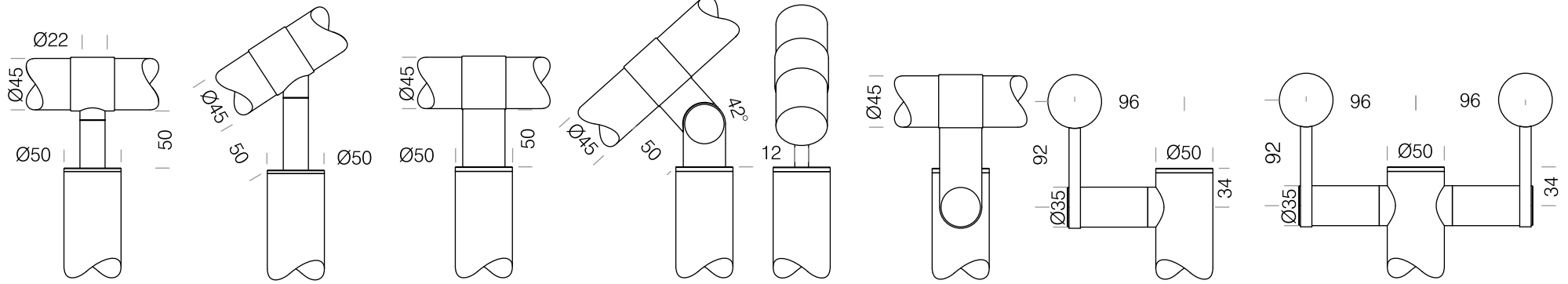
**4F** Angled Inline Stem

**4S** Inline Fin

**4T** Angled Inline Fin ®

**4N** Offset Fin ®

**4R** Offset Fin Divider ®

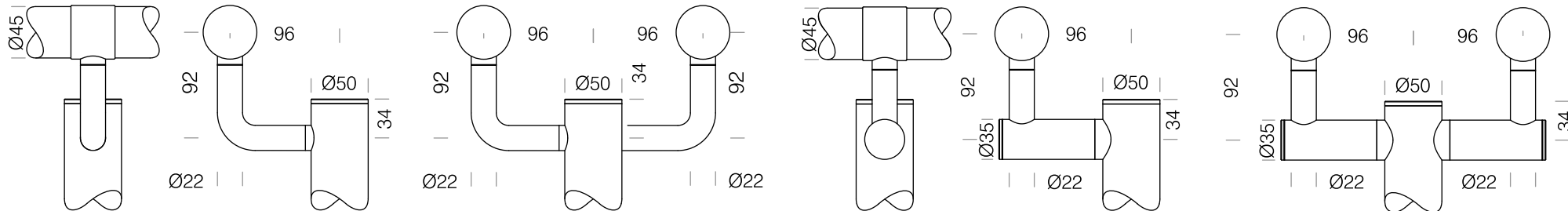


**4K** Offset Bend Toprail

**4M** Offset Bend Divider Rail

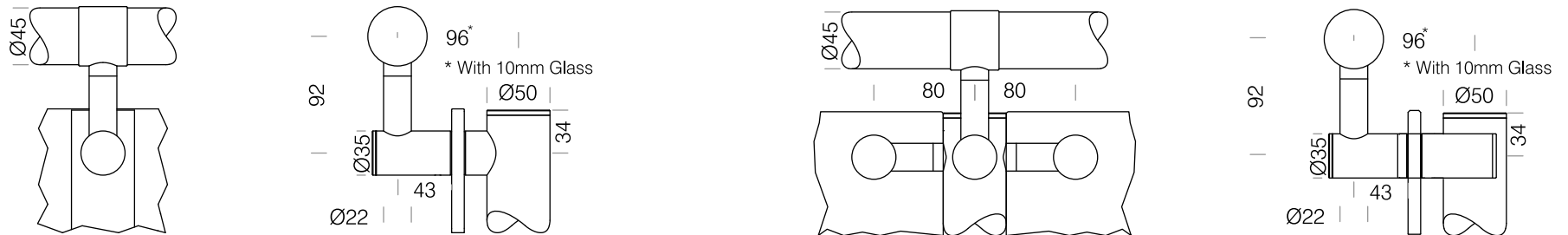
**4G** Offset Stem Toprail

**4I** Offset Stem Divider Rail



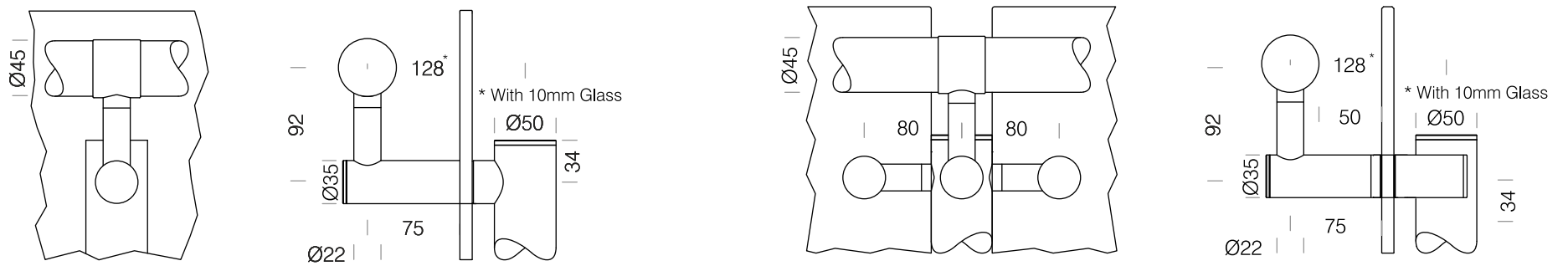
**STEM 4H** Offset Stem Toprail / Single Infill Panel

**4L** Offset Stem Toprail / Double Infill Panel



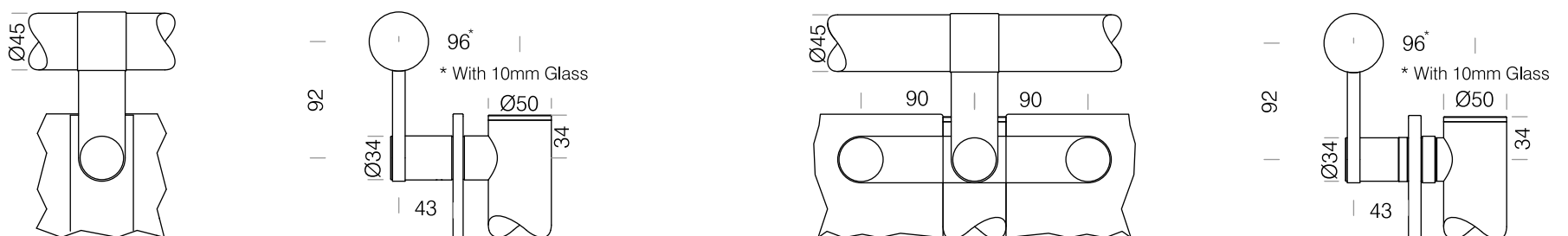
**4H** Offset Stem Toprail / Single Infill Panel - Raised Glass

**4L** Offset Stem Toprail / Double Infill Panel - Raised Glass



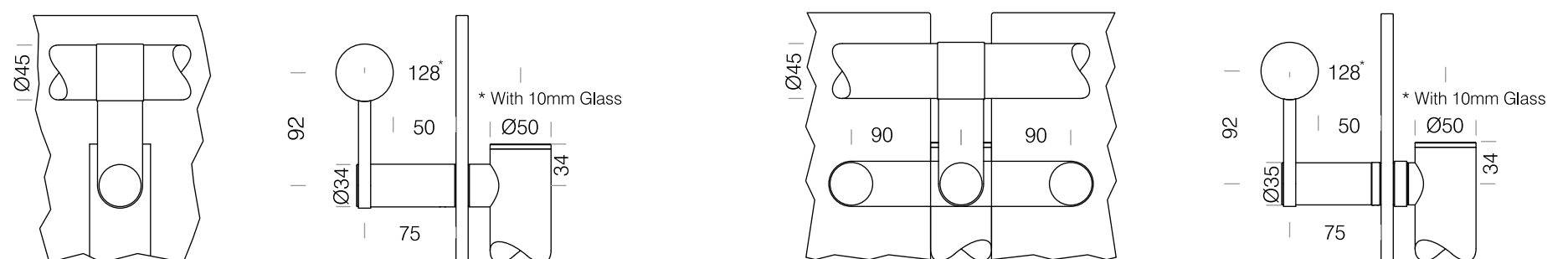
**FIN 4P** Offset Fin Toprail / Single Infill Panel ®

**4Q** Offset Fin Toprail / Double Infill Panel ®



**4P** Offset Fin Toprail / Single Infill Panel ® - Raised Glass

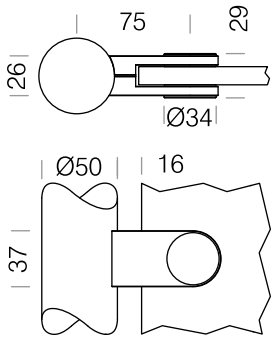
**4Q** Offset Fin Toprail / Double Infill Panel ® - Raised Glass



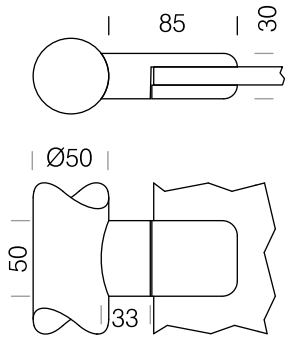
05 INFILLS

® = Registered Design

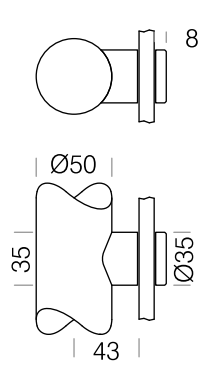
**5A** Inline Panel Holder ®



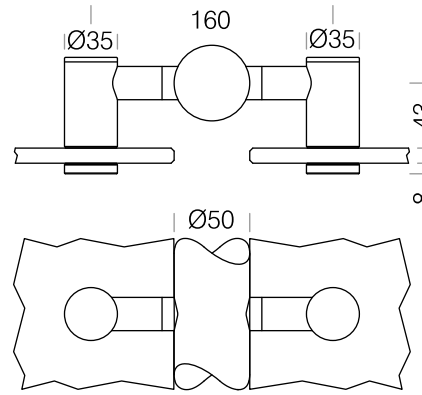
**5B** Inline Panel Holder



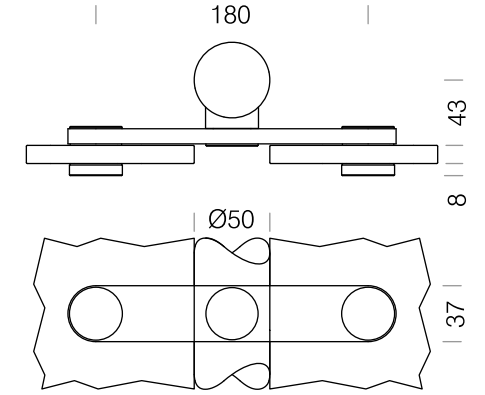
**5C** Offset Panel Holder



**5H** Double Offset Panel Holder

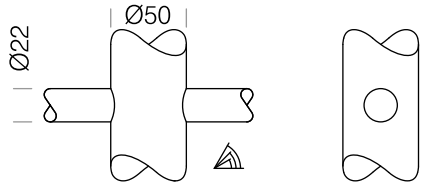


**5I** Double Offset Fin Panel Holder

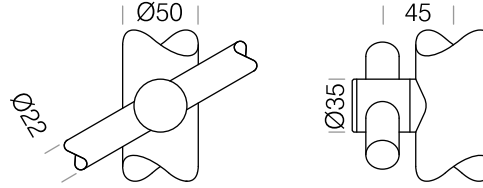


RAILS

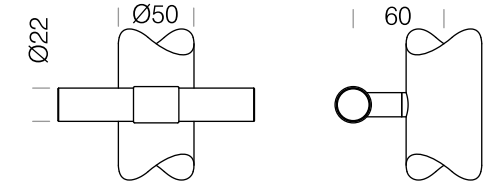
**5D** Inline Midrails



**5E** Offset Midrails

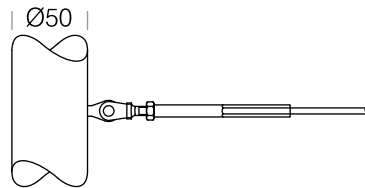


**5J** Offset Node Midrails

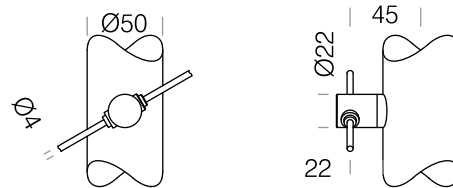


WIRES

**5F** Inline Wire Rope

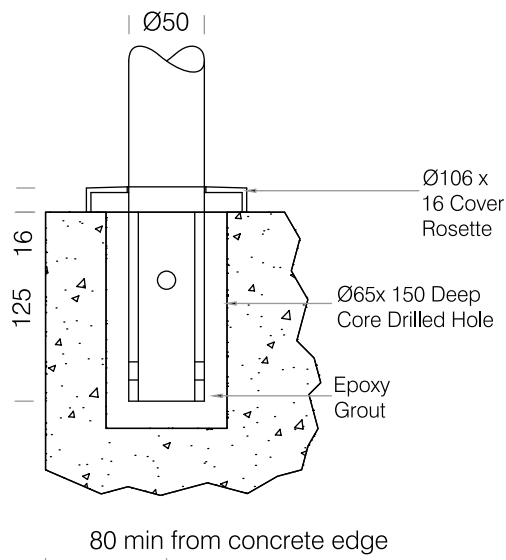


**5G** Offset Tension Wire Rope

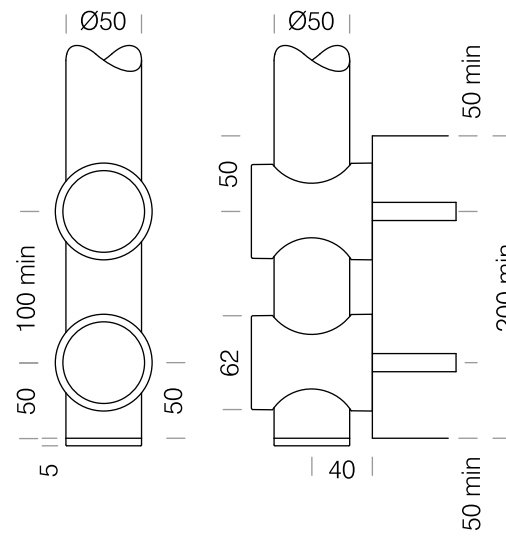


06 FIXINGS

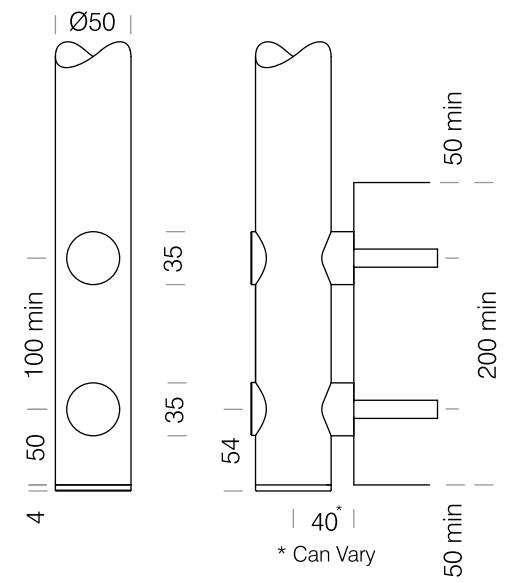
**6A** Spigot Fixing



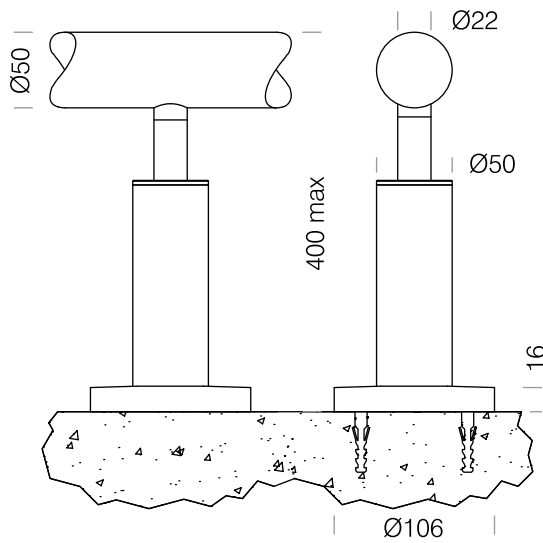
**6B** Side Fixing



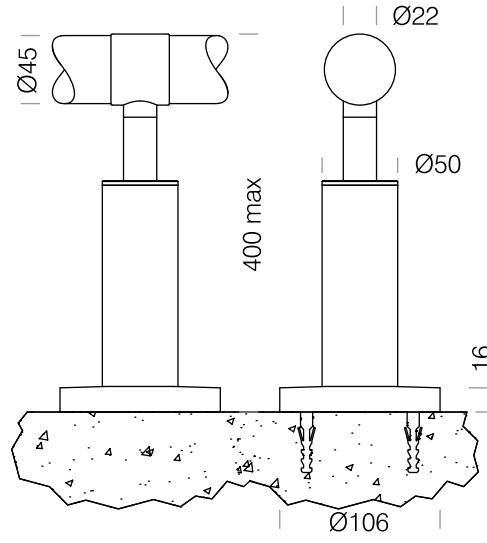
**6E** Side Fixing



**6C** Face Fixing TRADITIONAL



**6C** Face Fixing NODE



**6F** Top Fixing

