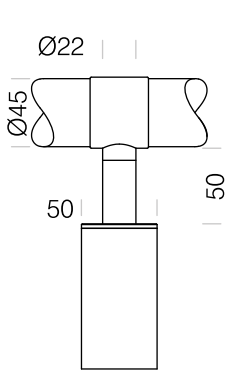


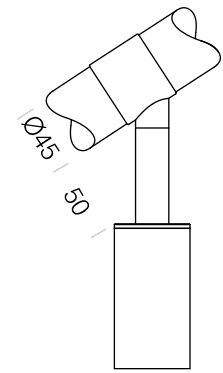
04 TOPRAIL CONNECTIONS - Ø45mm NODE MODULAR

® = Registered Design

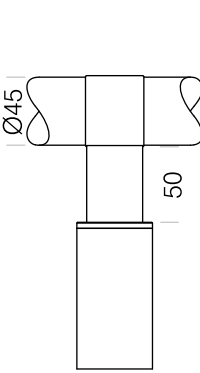
**4E** Inline Stem



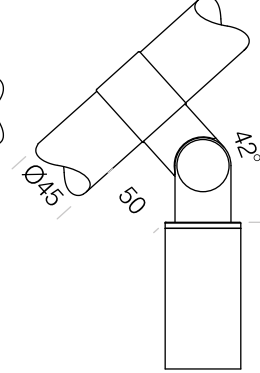
**4F** Angled Inline Stem



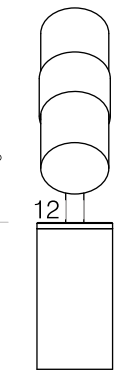
**4S** Inline Fin



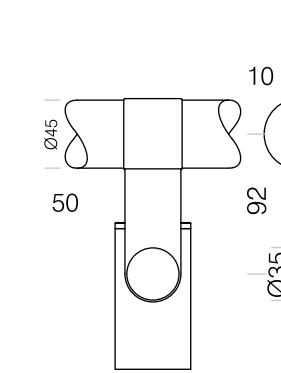
**4T** Angled Inline Fin ®



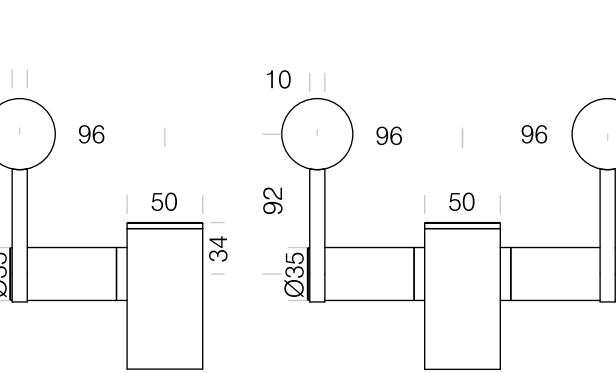
**4N** Offset Fin ®



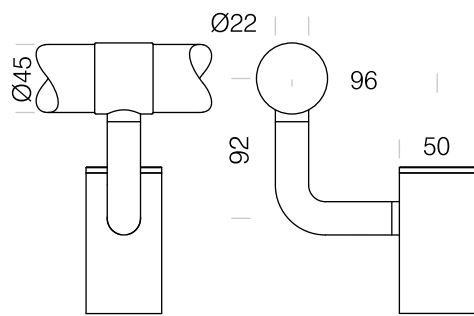
**4N** Offset Fin ®



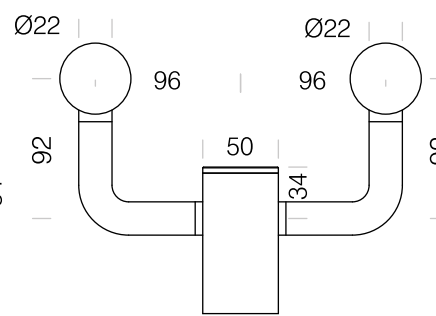
**4R** Offset Fin Divider ®



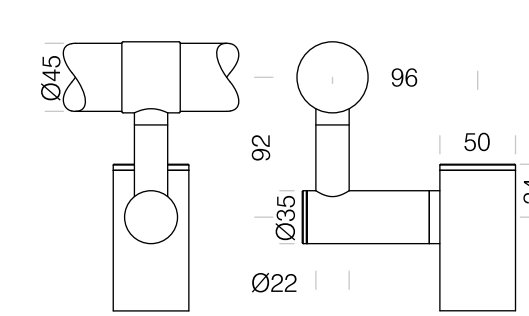
**4K** Offset Bend Toprail



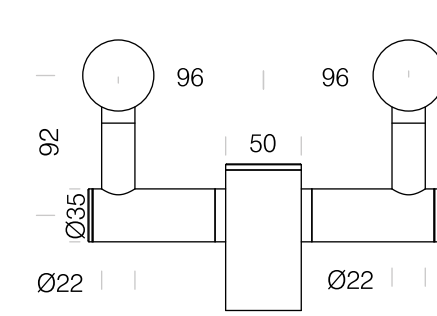
**4M** Offset Bend Divider Rail



**4G** Offset Stem Toprail

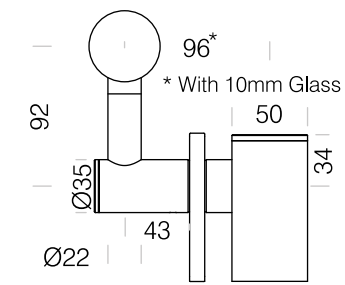
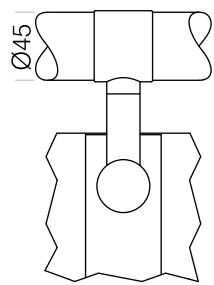


**4I** Offset Stem Divider Rail

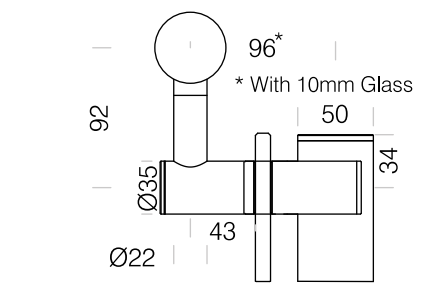
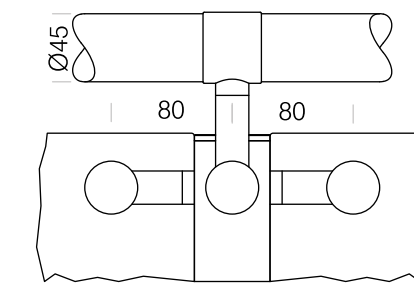


STEM

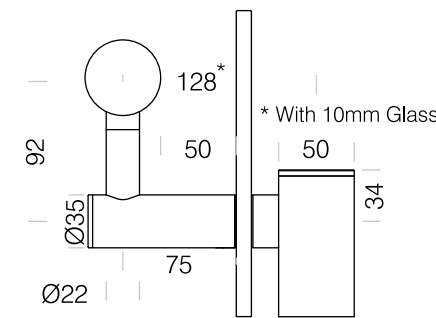
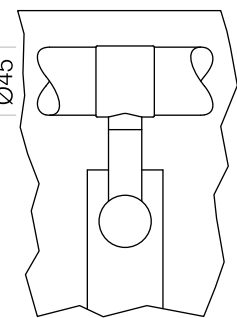
**4H** Offset Stem Toprail / Single Infill Panel



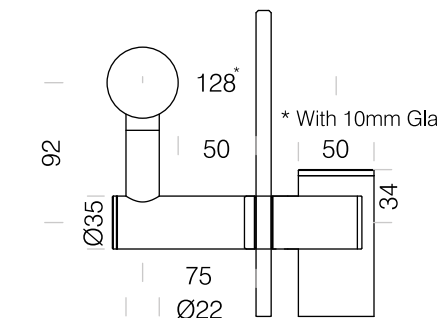
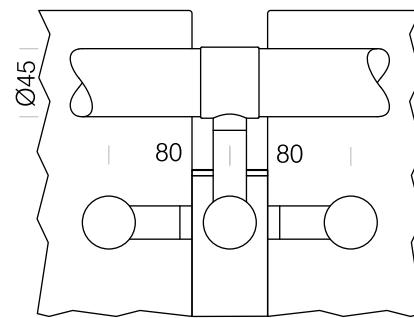
**4L** Offset Stem Toprail / Double Infill Panel



**4H** Offset Stem Toprail / Single Infill Panel - *Raised Glass*

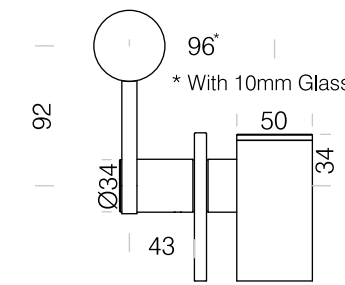
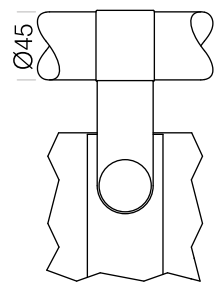


**4L** Offset Stem Toprail / Double Infill Panel - *Raised Glass*

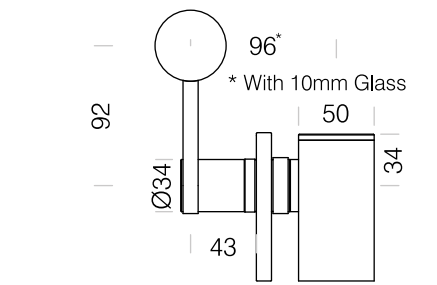
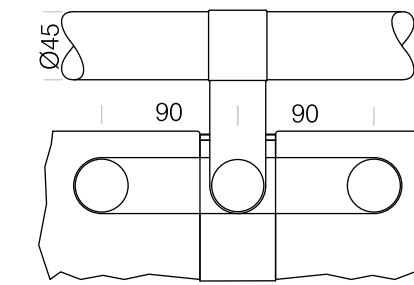


FIN

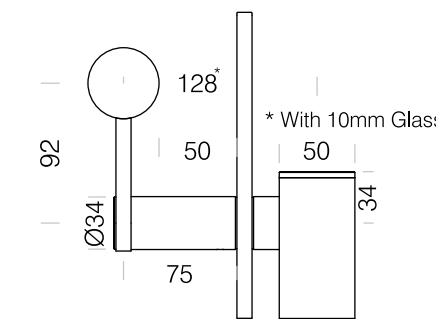
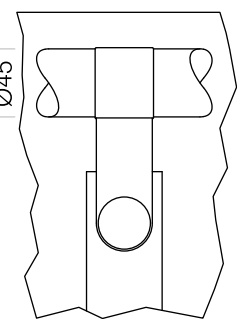
**4P** Offset Fin Toprail / Single Infill Panel ®



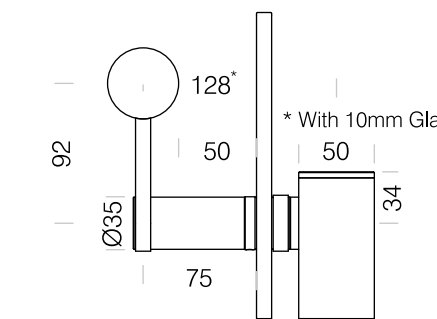
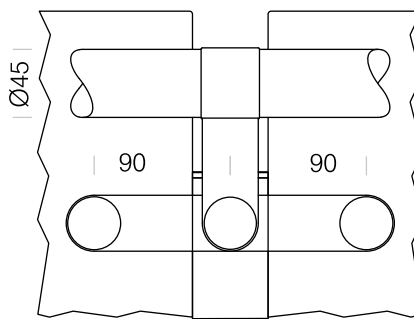
**4Q** Offset Fin Toprail / Double Infill Panel ®



**4P** Offset Fin Toprail / Single Infill Panel ® - *Raised Glass*



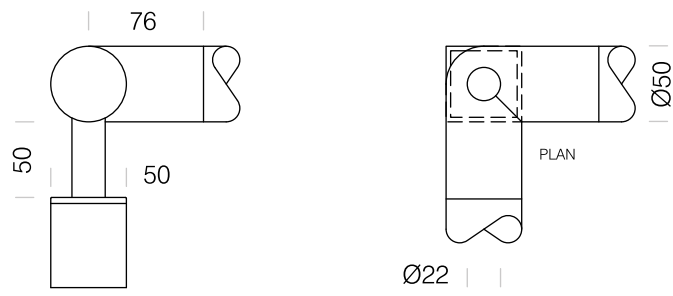
**4Q** Offset Fin Toprail / Double Infill Panel ® - *Raised Glass*



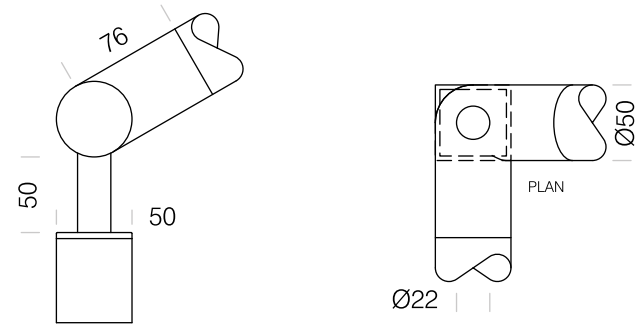
03 INTERSECTIONS - Ø50mm TRADITIONAL

® = Registered Design

**3F** 90°Bend / Stemmed Upright

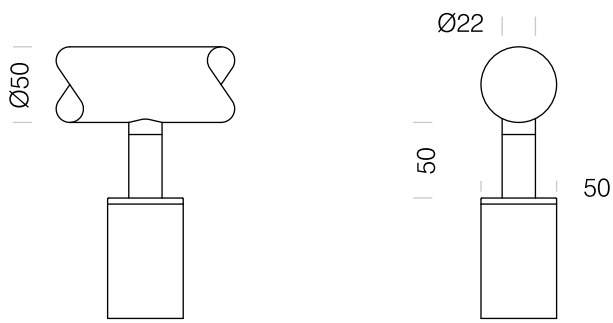


**3G** Angled 90°Bend / Stemmed Upright

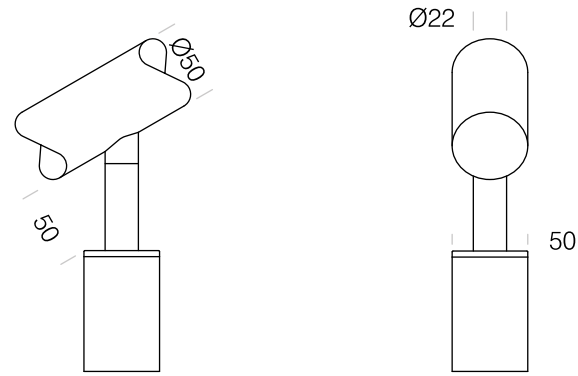


04 TOPRAIL CONNECTIONS - Ø50mm TRADITIONAL

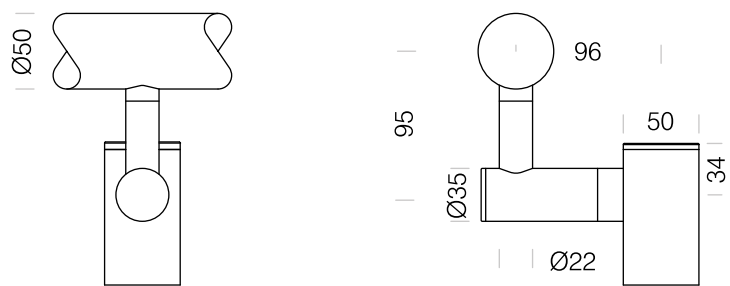
STEM **4E** Inline Stem Toprail



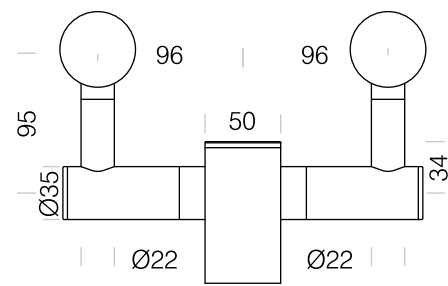
**4F** Angled Inline Stem Toprail



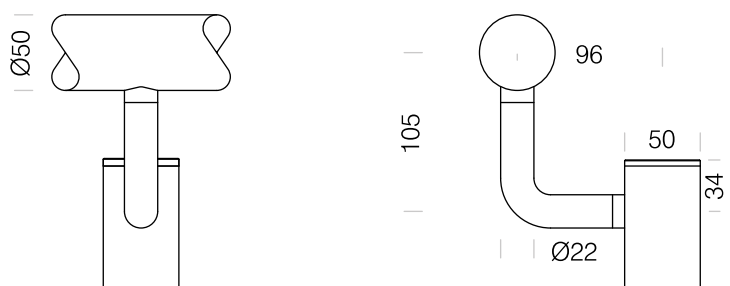
**4G** Offset Stem Toprail



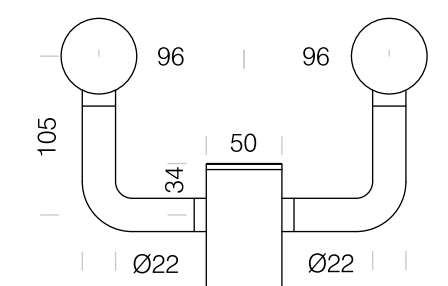
**4I** Offset Stem Divider Rail



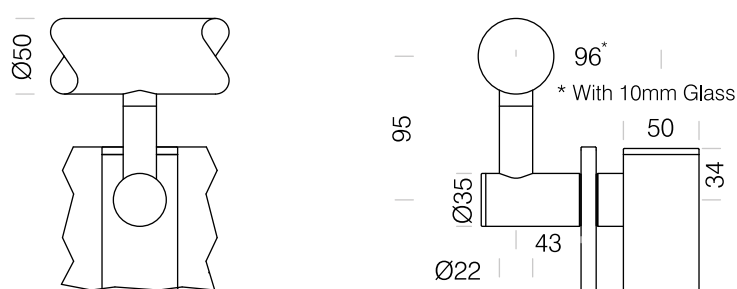
BEND **4K** Offset Bend Toprail



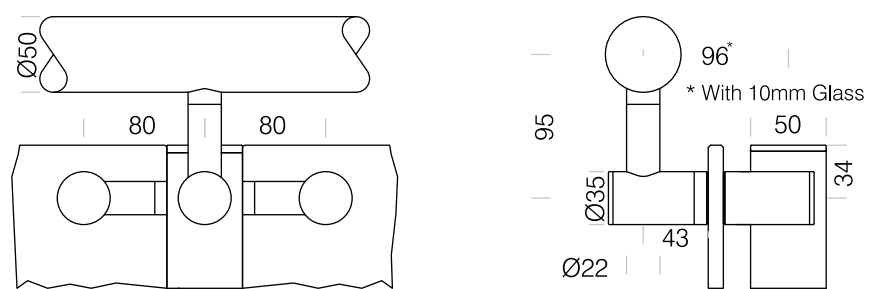
**4M** Offset Bend Divider Rail



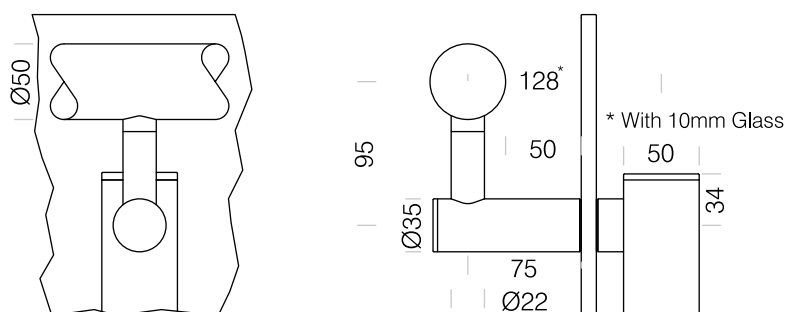
STEM **4H** Offset Stem Toprail / Single Infill Panel



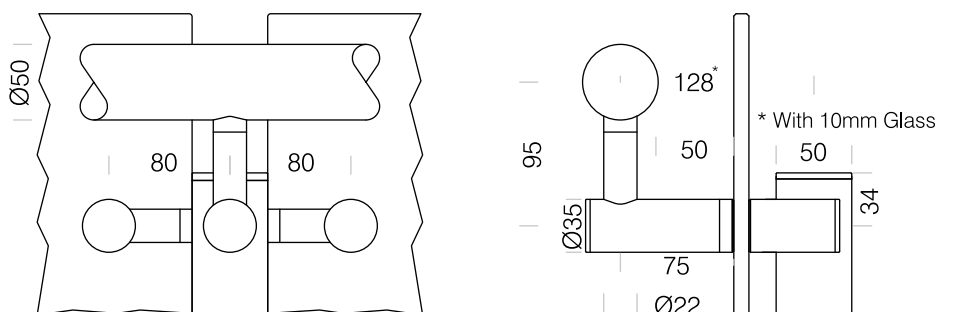
**4L** Offset Stem Toprail / Double Infill Panel



**4H** Offset Stem Toprail / Single Infill Panel - *Raised Glass*



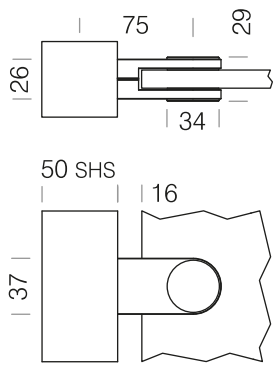
**4L** Offset Stem Toprail / Double Infill Panel - *Raised Glass*



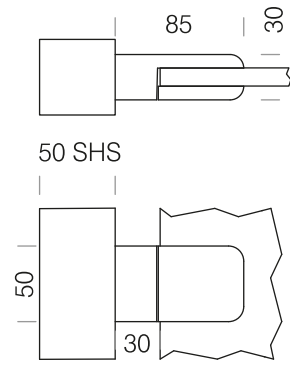
05 INFILLS

® = Registered Design

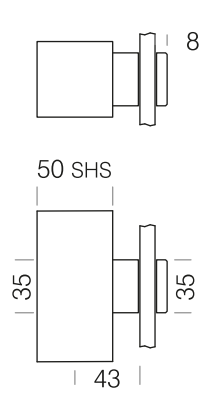
5A Inline Panel Holder ®



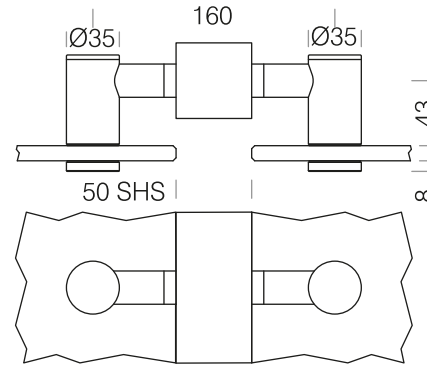
5B Inline Panel Holder



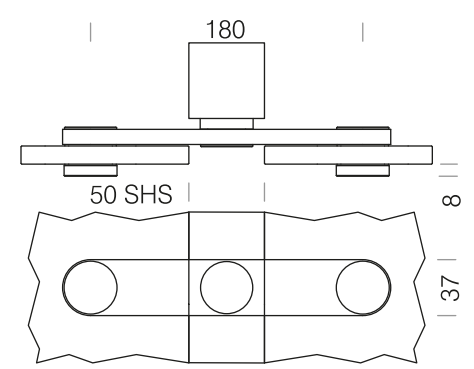
5C Offset Panel Holder



5H Double Offset Panel Holder

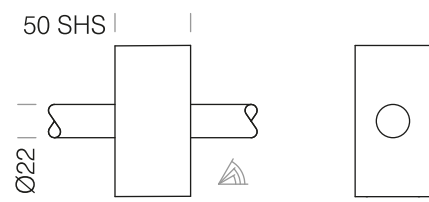


5I Double Offset Fin Panel Holder

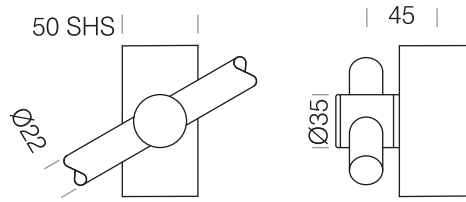


5D Inline Midrails

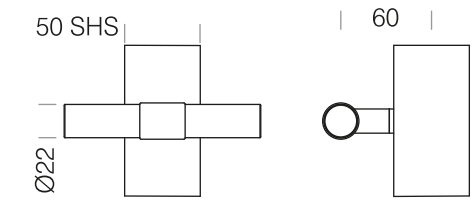
RAILS



5E Offset Midrails

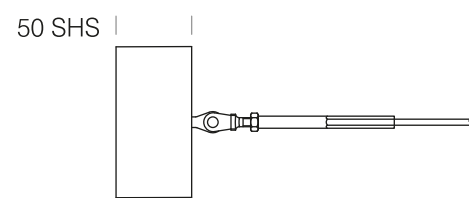


5J Offset Node Midrails

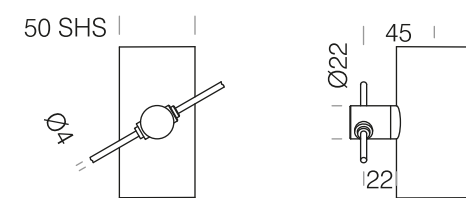


5F Inline Wire Rope

WIRES

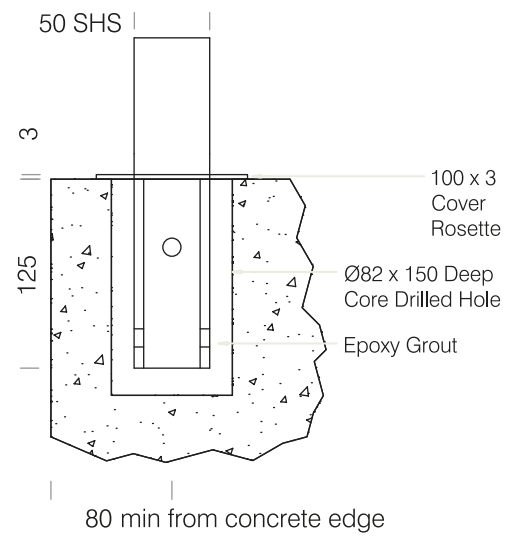


5G Offset Tension Wire Rope

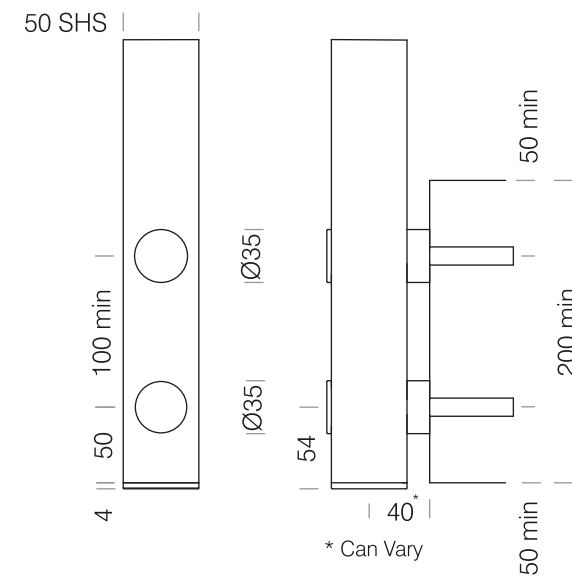


06 FIXINGS

6A Spigot Fixing



6E Side Fixing



6F Top Fixing

